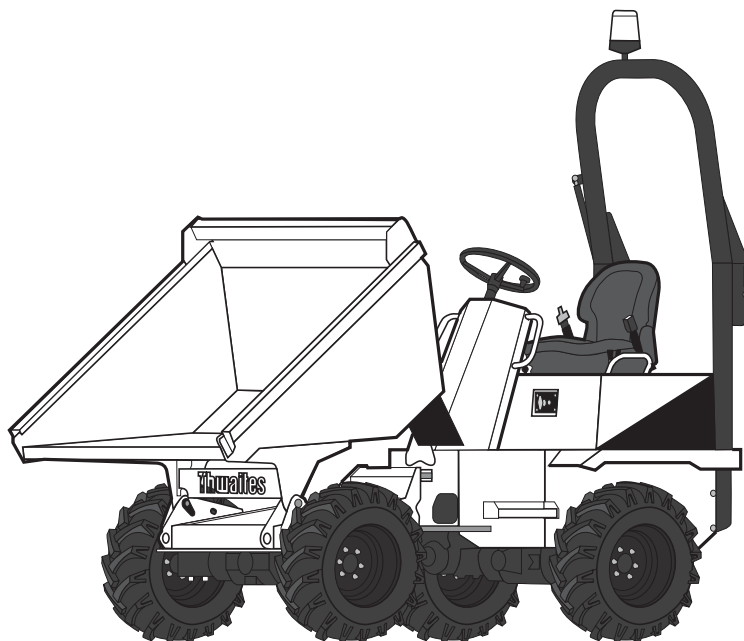
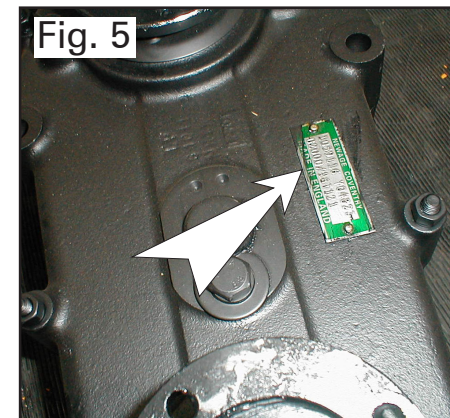
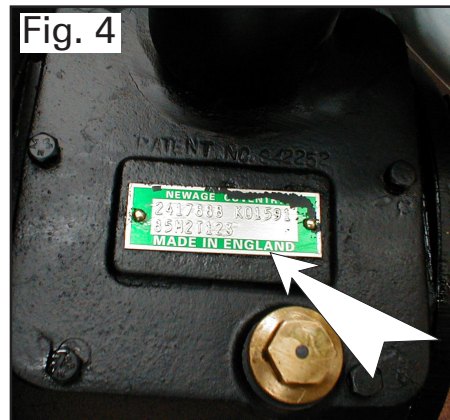
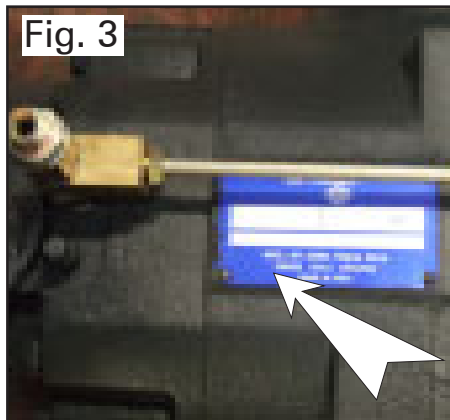
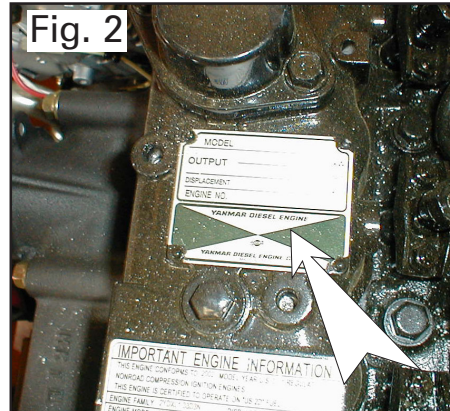
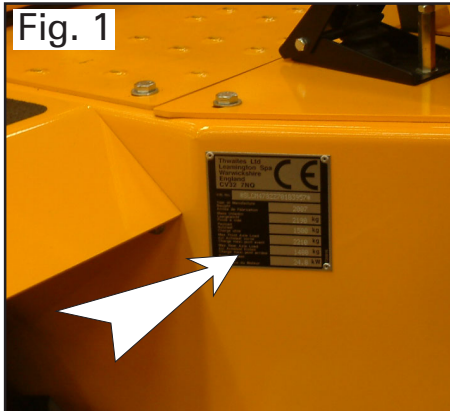


Thwaites**420 - 2 TONNE FORWARD TIP****allparts****Thwaites**
allparts

Thwaites Ltd
Leamington Spa
Warwickshire
CV32 7NQ
Tel +44 (0)1926 422471
Fax +44 (0)1926 450458
www.thwaitesdumpers.co.uk

FROM VIN No. B2958**DATED** 12th MARCH 2007**VIN No.** B _ _ _ _ _**ENGINE BUILD No.** 3TNV82A-KWA**PAYLOAD** 2 TONNE**SKIP** FORWARD TIP**TRANSMISSION** MANUAL**TYPE** MACH 420**PREFIX No.** 01

MACHINE IDENTIFICATION



Serial Numbers

Note machine serial numbers. Always quote them in communication with Thwaites dealer or Head Office.

Model Type (Fig 1.)

Vin N^o (Fig. 1)

Engine Serial N^o (Fig. 2)

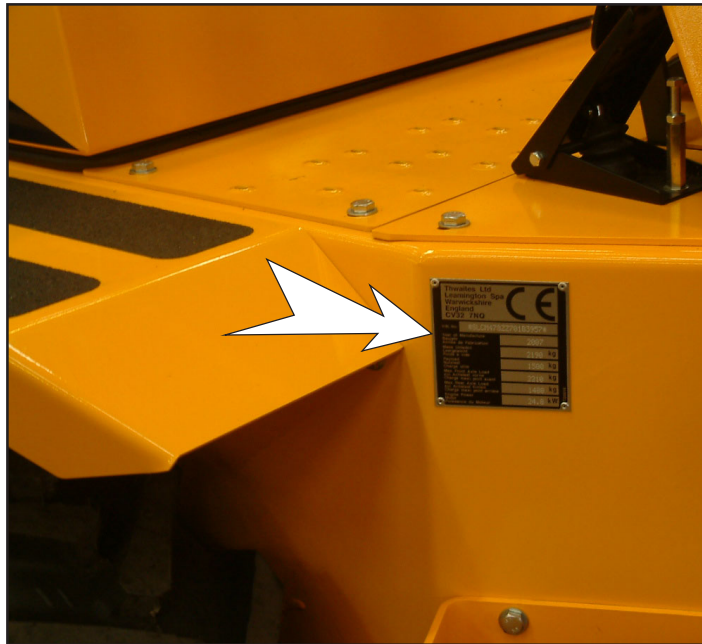
Axle Serial N^o (Fig. 3) Front
Rear

Gearbox N^o (Fig. 4)

Transfer Box N^o (Fig. 5)

VEHICLE IDENTIFICATION NUMBER - (VIN)

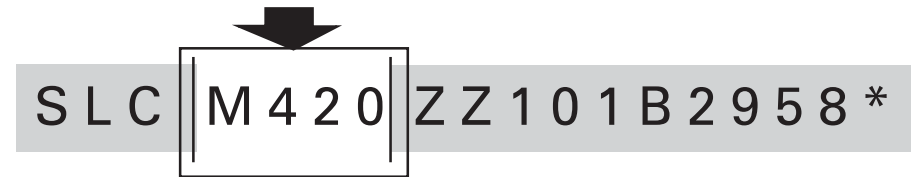
Thwaites have now adopted the international identification system known as VEHICLE IDENTIFICATION NUMBER normally referred to as VIN.



The VIN number incorporates a number of security features and also the machine model and individual serial number.

Important note: *Do not use this parts manual to order replacement spares if the prefix level of your machine is higher than the number quoted at the front of this parts manual.*

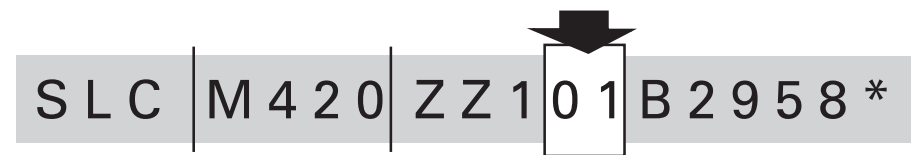
When ordering replacement spares it is important that the model or MACH number is used to identify the correct parts manual.



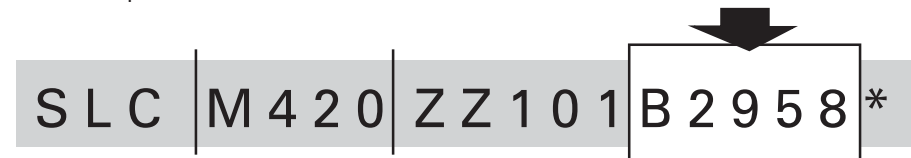
The year of manufacture:



The Machine Parts Manual issue level denoted by the two digit Prefix Number:

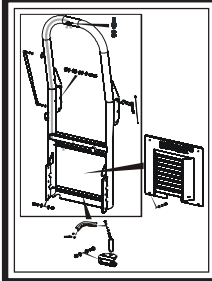


The unique machine serial number:



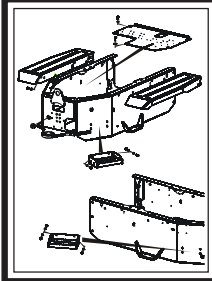
Please ensure that these numbers are quoted in all correspondence with your Thwaites distributor.

ROPS FRAME ASSEMBLY



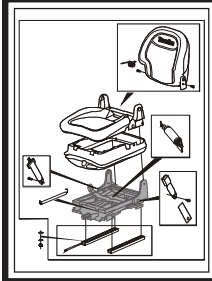
PAGE 1

REAR CHASSIS ASSEMBLY



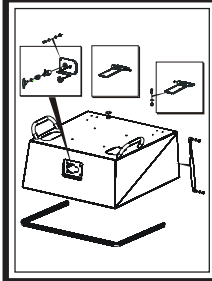
PAGE 2

SEAT ASSEMBLY



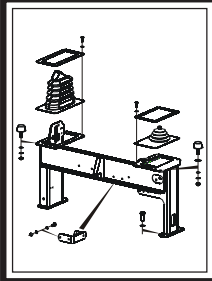
PAGE 3

ENGINE COVER ASSEMBLY



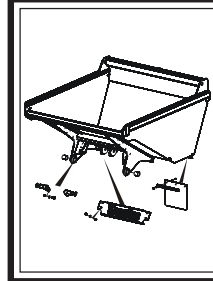
PAGE 4

CROSS BRACE ASSEMBLY



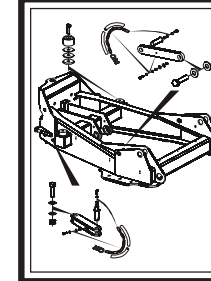
PAGE 5

SKIP ASSEMBLY



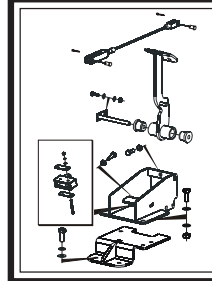
PAGE 6

FRONT CHASSIS ASSEMBLY



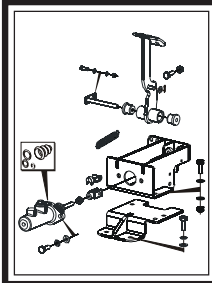
PAGE 7

CLUTCH PEDAL ASSEMBLY



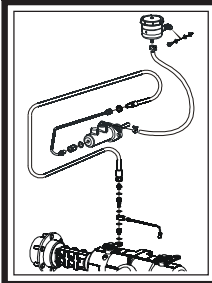
PAGE 8

BRAKE PEDAL ASSEMBLY



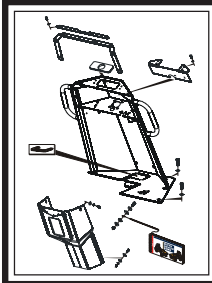
PAGE 9

BRAKE CIRCUIT



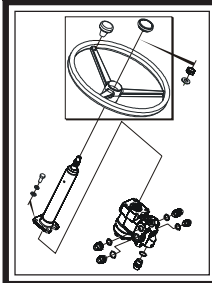
PAGE 10

LEG GUARD ASSEMBLY



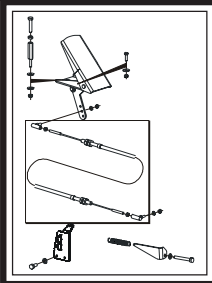
PAGE 11

STEERING ASSEMBLY



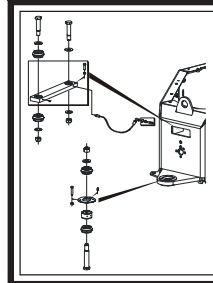
PAGE 12

THROTTLE ASSEMBLY



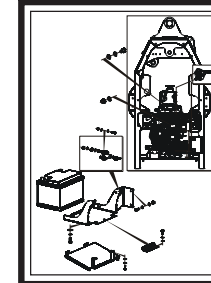
PAGE 13

KINGLINK ASSEMBLY



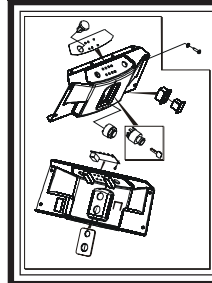
PAGE 14

BATTERY BOX ASSEMBLY



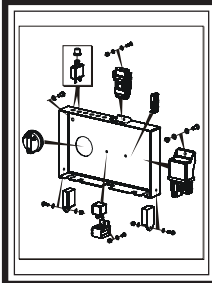
PAGE 15

DASH PANEL ASSEMBLY



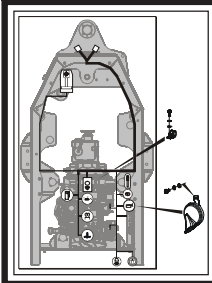
PAGE 16

ELECTRIC BOX



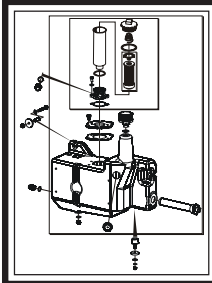
PAGE 17

ENGINE HARNESS



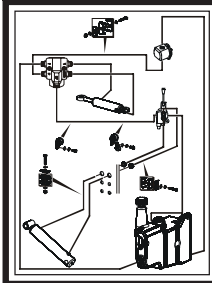
PAGE 18

HYD. TANK ASSEMBLY



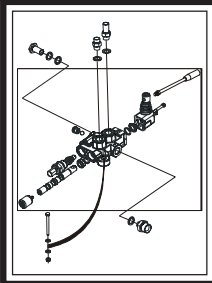
PAGE 19 & 20

HYDRAULIC CIRCUIT



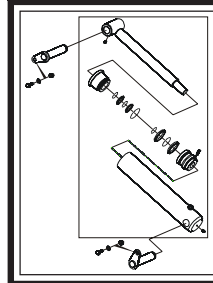
PAGE 21

TIPPING VALVE ASSEMBLY



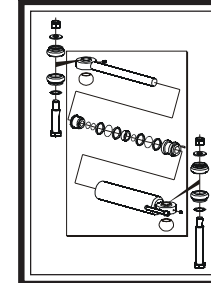
PAGE 22

TIPPING RAM ASSEMBLY



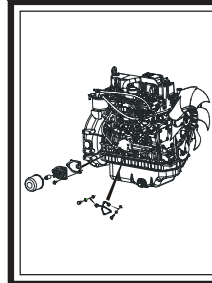
PAGE 23

STEERING RAM ASSEMBLY



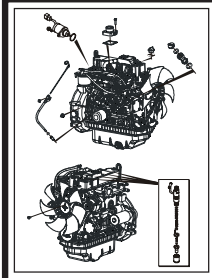
PAGE 24

ENGINE - OIL FILTER ASSY.



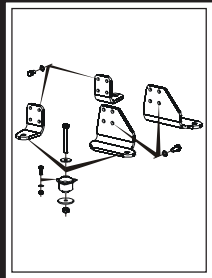
PAGE 25

ENGINE ACCESSORIES



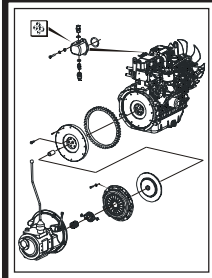
PAGE 26

ENGINE MOUNTINGS



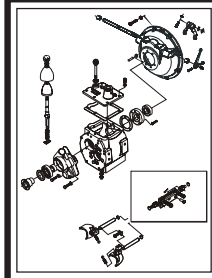
PAGE 27

CLUTCH ASSY. & HYD. PUMP



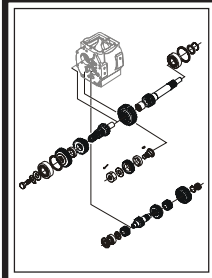
PAGE 28

G/BOX - FORKS & HOUSING



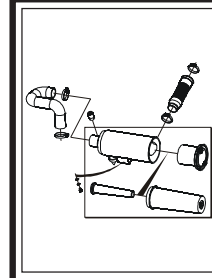
PAGE 29 & 30

GEARBOX - INTERNAL



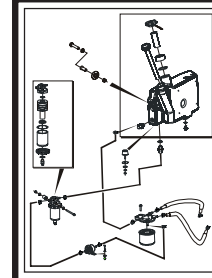
PAGE 31

AIR CLEANER ASSEMBLY



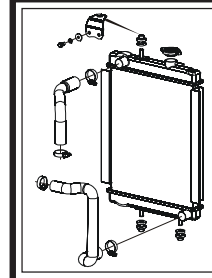
PAGE 32

FUEL TANK ASSEMBLY



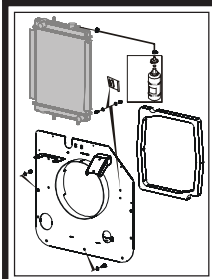
PAGE 33 & 34

RADIATOR



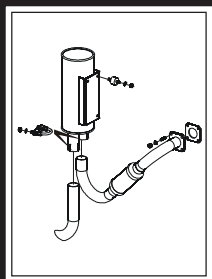
PAGE 35

RADATOR COWL & FIXINGS



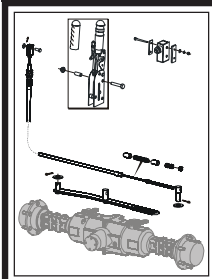
PAGE 36

EXHAUST



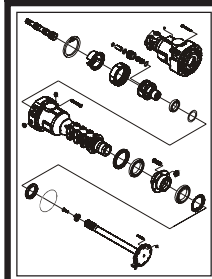
PAGE 37

HANDBRAKE ASSEMBLY



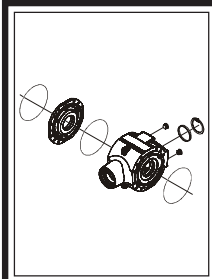
PAGE 38

FRONT AXLE - HUB REDUCTION



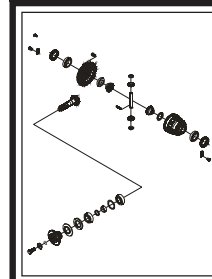
PAGE 39 & 40

FRONT AXLE - CENT. HOUSING



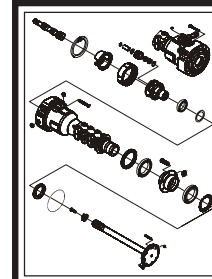
PAGE 41

FRONT AXLE - DIFFERENTIAL



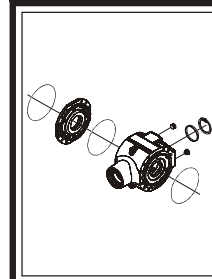
PAGE 42

REAR AXLE - HUB REDUCTION



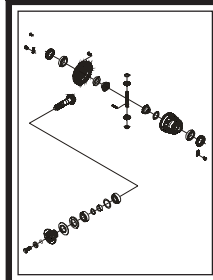
PAGE 43 & 44

REAR AXLE - CENT. HOUSING



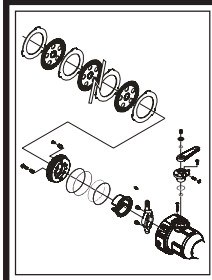
PAGE 45

REAR AXLE - DIFFERENTIAL



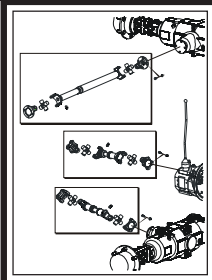
PAGE 46

REAR AXLE - BRAKES



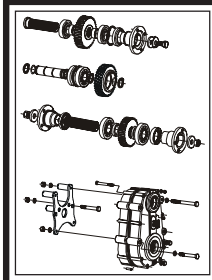
PAGE 47

PROPSHAFTS



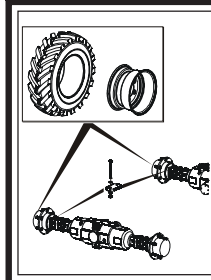
PAGE 48

DROP BOX ASSEMBLY



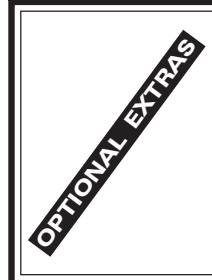
PAGE 49 & 50

WHEEL ASSEMBLY



PAGE 51

OPTIONAL EXTRAS



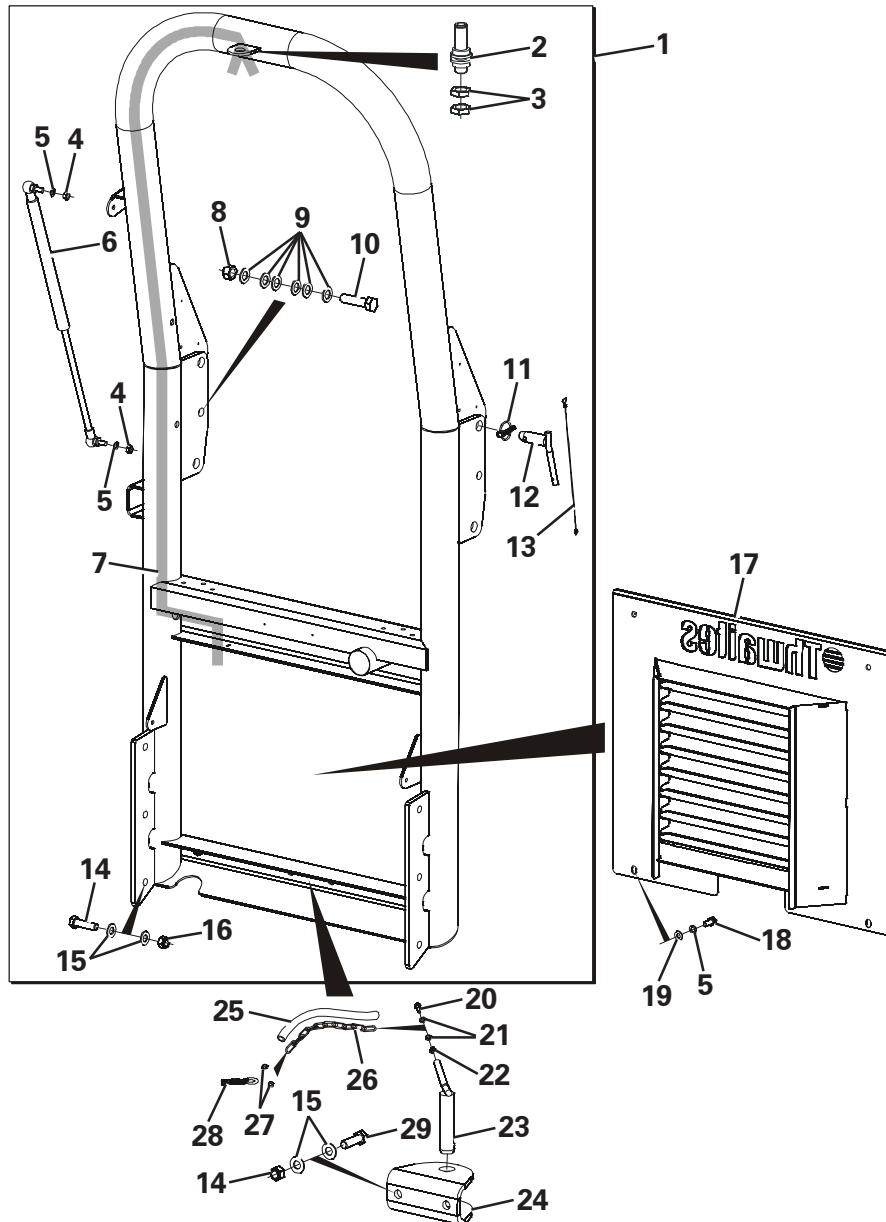
PAGE 52

MODIFICATIONS & ADDITIONS



PAGE 53 & 54

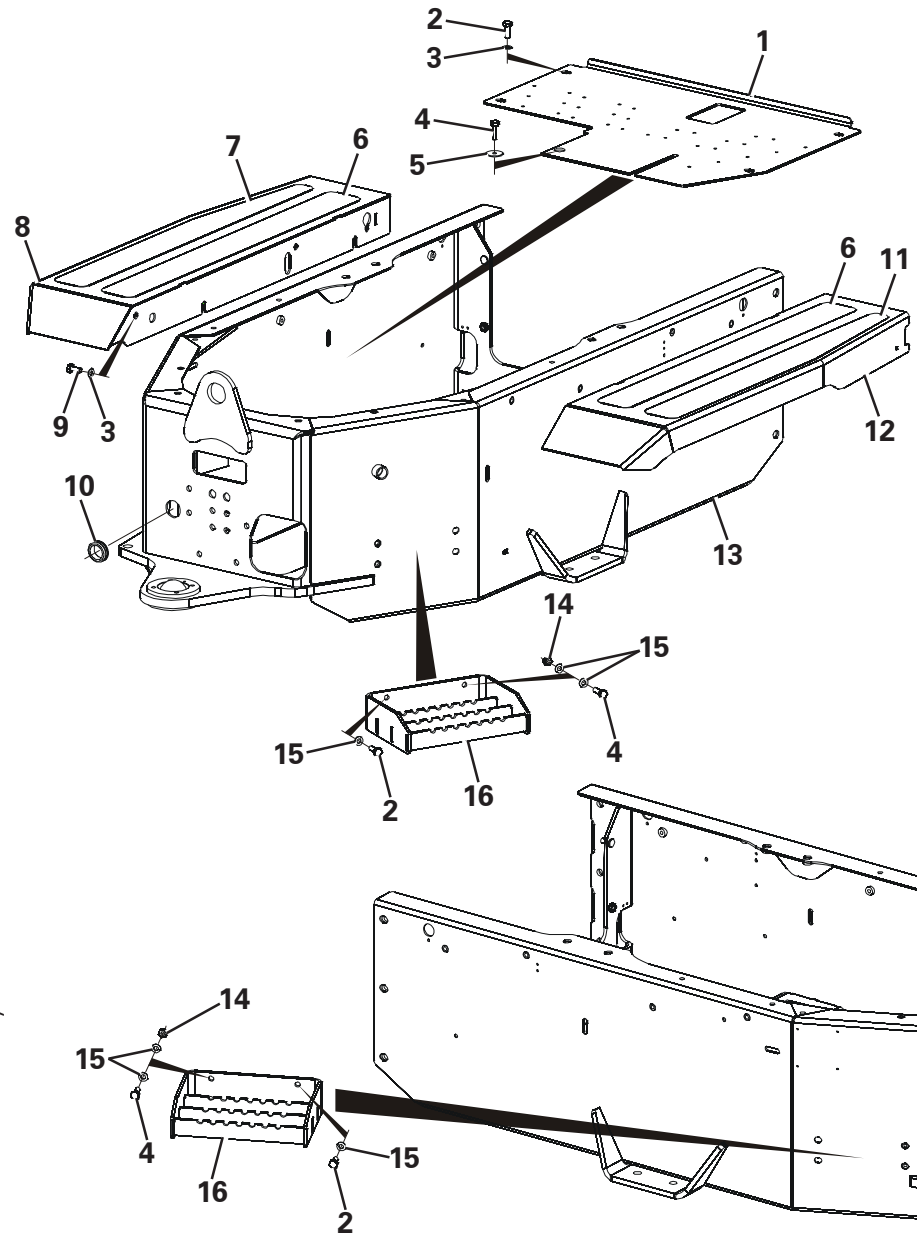
ROPS FRAME ASSEMBLY



Item	Part No.	Description	Qty	U/M
1	T102634	FOLDING ROPS ASSY	1.0	EA
2	T100134	BEACON STEM	1.0	EA
3	T101154	LOCK NUT	2.0	EA
4	T12509	NUT	2.0	EA
5	T13362	SPRING WASHER	6.0	EA
6	T100225	GAS SPRING	1.0	EA
7	T102683	BEACON HARNESS	1.0	EA
8	T13739	PHILIDAS NUT	2.0	EA
9	T17306	WASHER	12.0	EA
10	T103047	BOLT	2.0	EA
11	T103044	LINCH PIN	2.0	EA
12	T103045	LINCH PIN WIRE	2.0	EA
13	T103046	ROPS HINGE PIN	2.0	EA
14	T14910	PHILIDAS NUT	8.0	EA
15	T100867	WASHER	16.0	EA
16	T15571	BOLT	6.0	EA
17	T102697	REAR GRILLE	1.0	EA
18	T7466	SET SCREW	4.0	EA
19	T15819	WASHER	4.0	EA
20	T16477	SET SCREW	1.0	EA
21	T13911	WASHER	2.0	EA
22	T10431	NUT	1.0	EA
23	T100156	TOWING PIN	1.0	EA
24	T100155	TOWING JAW	1.0	EA
25	T17508	CHAIN SLEEVE	1.0	EA
26	T17507	LOCKING PIN CHAIN	1.0	EA
27	T15830	HEAVY DUTY WASHER	2.0	EA
28	T6075	R CLIP	1.0	EA
29	T11315	BOLT	2.0	EA

ROPS Frame Assembly

REAR CHASSIS ASSEMBLY

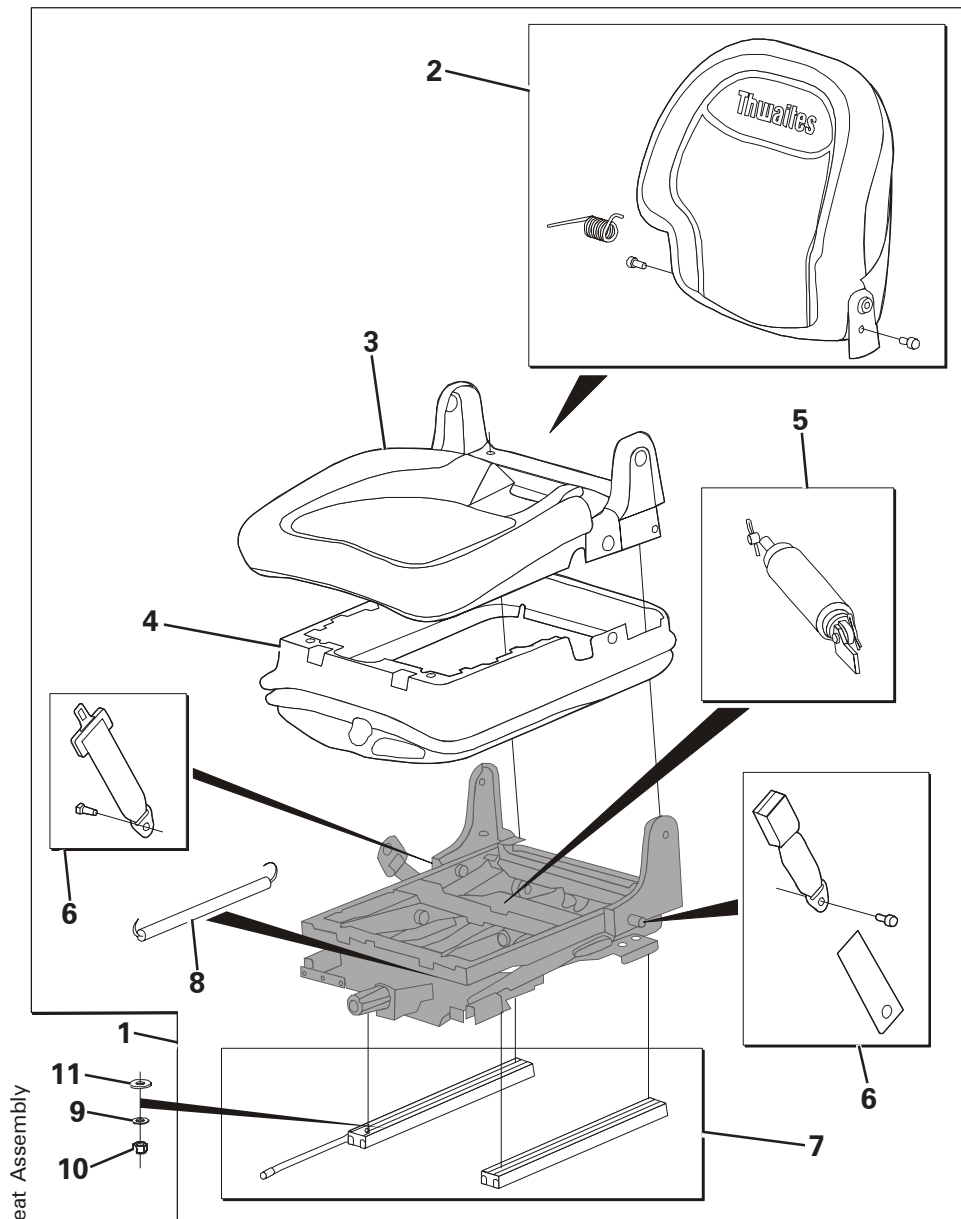


Item	Part No.	Description	Qty	U/M
1	T101004	FLOORPLATE	1.0	EA
2	T20618	SET SCREW	8.0	EA
3	T10734	HEAVY DUTY WASHER	12.0	EA
4	T16505	SET SCREW	5.0	EA
5	T8128	HEAVY DUTY WASHER	1.0	EA
6	T103011	ANTI SLIP PAD	2.0	EA
7	T103016	ANTI SLIP PAD RH	1.0	EA
8	T102708	MUDGUARD ASSEMBLY RH	1.0	EA
9	T7466	SET SCREW	8.0	EA
10	T17123	GROMMET	1.0	EA
11	T103017	ANTI SLIP PAD LH	1.0	EA
12	T102709	MUDGUARD ASSEMBLY LH	1.0	EA
13	T102685	REAR CHASSIS	1.0	EA
14	T13064	PHILIDAS NUT	4.0	EA
15	T15819	WASHER	12.0	EA
16	T100147	STEP	2.0	EA

Rear Chassis Assembly

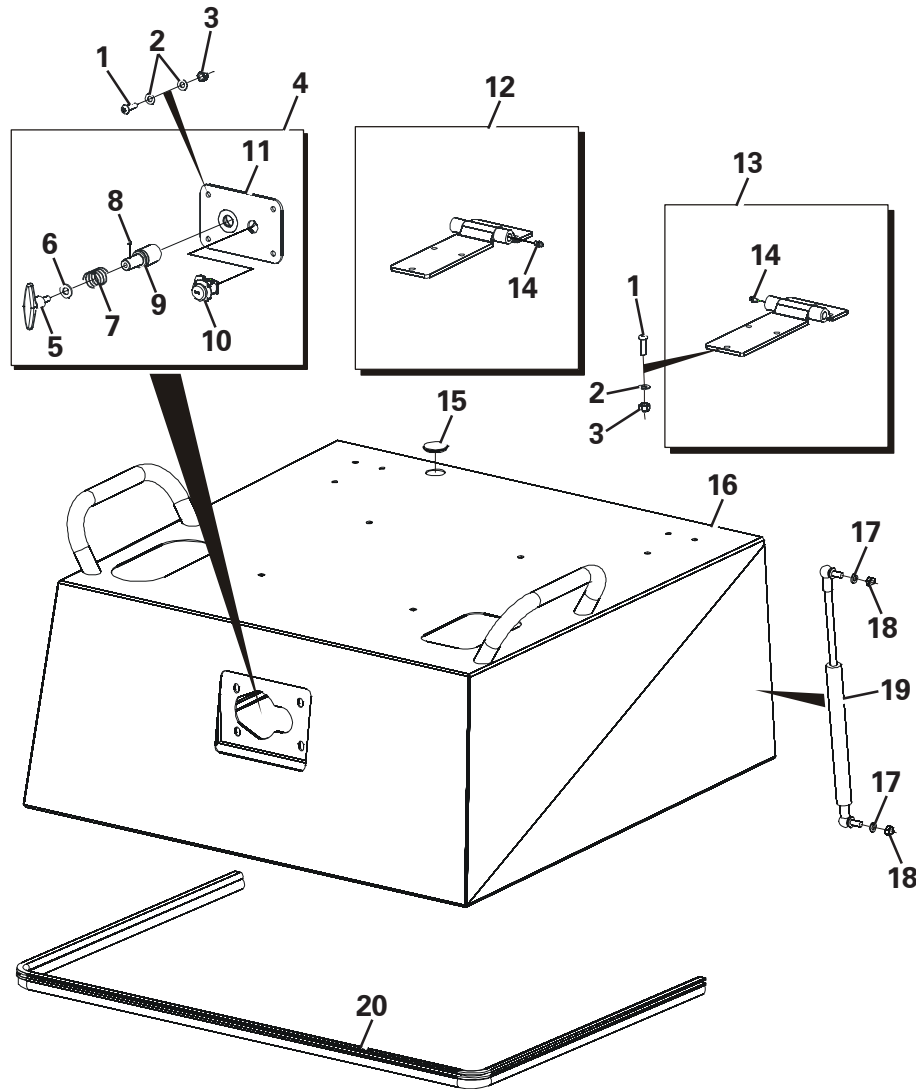
SEAT ASSEMBLY

Item	Part No.	Description	Qty	U/M
1	T102628	SEAT	1.0	EA
2	T53830	BACK CUSHION KIT	1.0	EA
3	T53831	SEAT CUSHION KIT	1.0	EA
4	T53845	BOOT	1.0	EA
5	T53832	DAMPER KIT	1.0	EA
6	T53840	SEATBELT KIT	1.0	EA
7	T53829	SLIDE RAIL ADJUSTER KIT	1.0	EA
8	T53886	TRANSFER ROD	1.0	EA
9	T12973	PLAIN WASHER	4.0	EA
10	T13457	NYLOC NUT	4.0	EA
11	T9345	HEAVY DUTY WASHER	4.0	EA



Seat Assembly

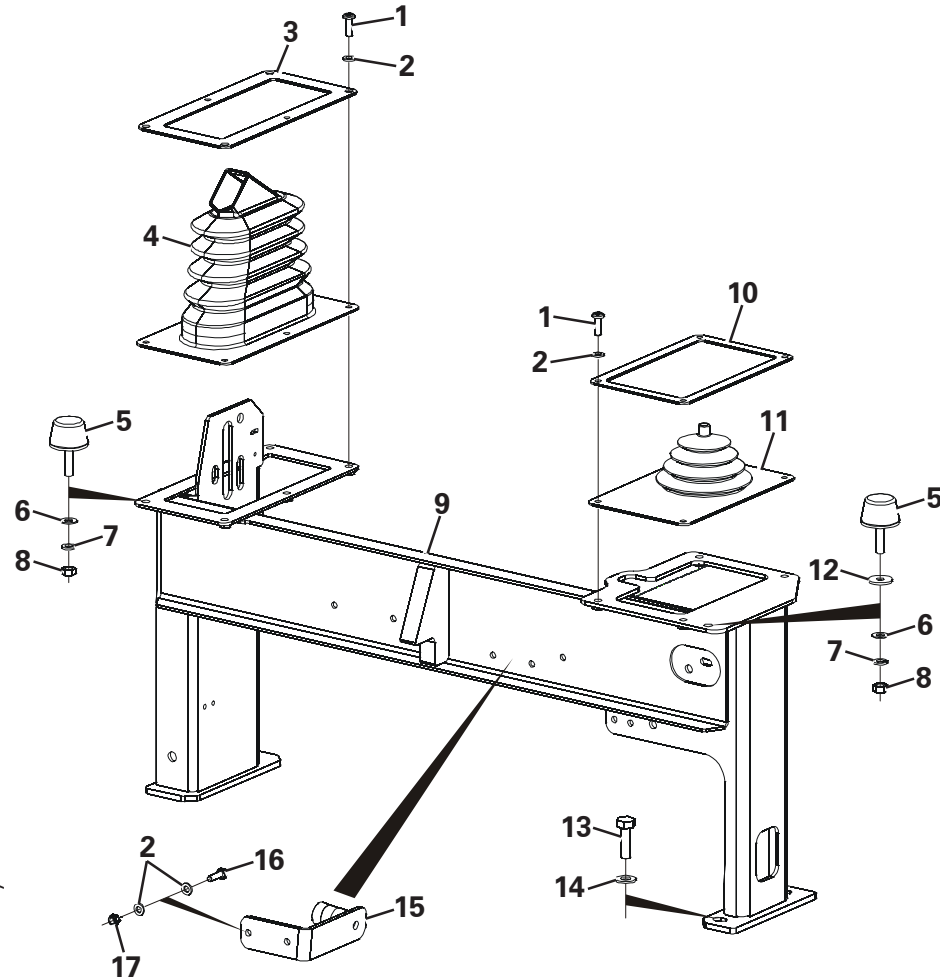
ENGINE COVER ASSEMBLY



Item	Part No.	Description	Qty	U/M
1	T12971	SOCKET DOME HEAD SCREW	16.0	EA
2	T12973	WASHER	20.0	EA
3	T13457	NYLOC NUT	16.0	EA
4	T100211	LOCK ASSY	1.0	EA
5	T100216	RENCOL HANDLE	1.0	EA
6	T10734	HEAVY DUTY WASHER	1.0	EA
7	T100287	SPRING	1.0	EA
8	T100477	GRUB SCREW	1.0	EA
9	T100266	LOCK PLUNGER	1.0	EA
10	T100265	COMPARTMENT LOCK	1.0	EA
11	T100286	WELDED LOCK ASSY	1.0	EA
12	T101780	HINGE RH (CW GREASE NIPPLE)	1.0	EA
13	T101779	HINGE LH (CW GREASE NIPPLE)	1.0	EA
14	T16586	GREASE NIPPLE	2.0	EA
15	T12589	BLANKING GROMMET	1.0	EA
16	T102688	ENGINE COVER	1.0	EA
17	T12972	SPRING WASHER	4.0	EA
18	T9775	NUT	4.0	EA
19	T100610	GAS STRUT	2.0	EA
20	T101249	SEAL	1.0	EA

CROSS BRACE ASSEMBLY

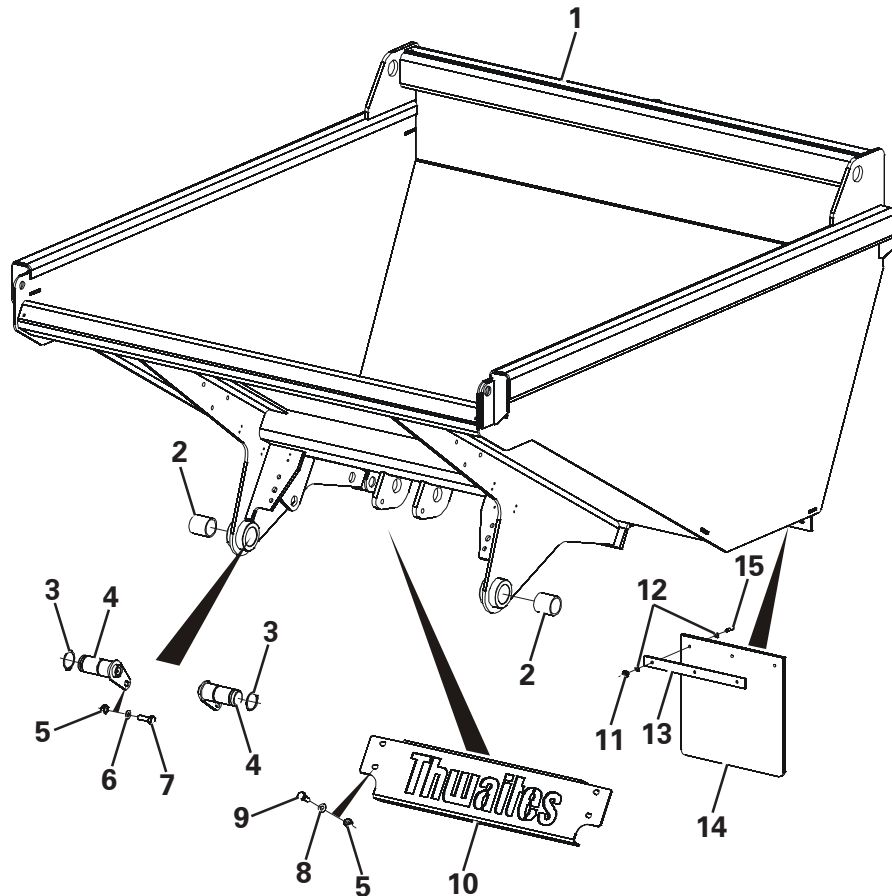
Item	Part No.	Description	Qty	U/M
1	T16492	DOME HEAD SCREW	9.0	EA
2	T13911	WASHER	13.0	EA
3	T100570	HANDBRAKE GAITER RETAINER	1.0	EA
4	T102351	HANDBRAKE GAITER	1.0	EA
5	T100214	RUBBER BUFFER	2.0	EA
6	T12973	WASHER	2.0	EA
7	T12972	SPRING WASHER	2.0	EA
8	T9775	NUT	2.0	EA
9	T102890	CROSSBRACE	1.0	EA
10	T100569	TIPPING GAITER RETAINING PLATE	1.0	EA
11	T100289	TIPPING LEVER GAITER	1.0	EA
12	T17153	HEAVY DUTY WASHER	1.0	EA
13	T16505	SET SCREW	4.0	EA
14	T10734	HEAVY DUTY WASHER	4.0	EA
15	T101347	BEACON STORAGE BRACKET	1.0	EA
16	T16477	SET SCREW	2.0	EA
17	T16481	NYLOC NUT	2.0	EA



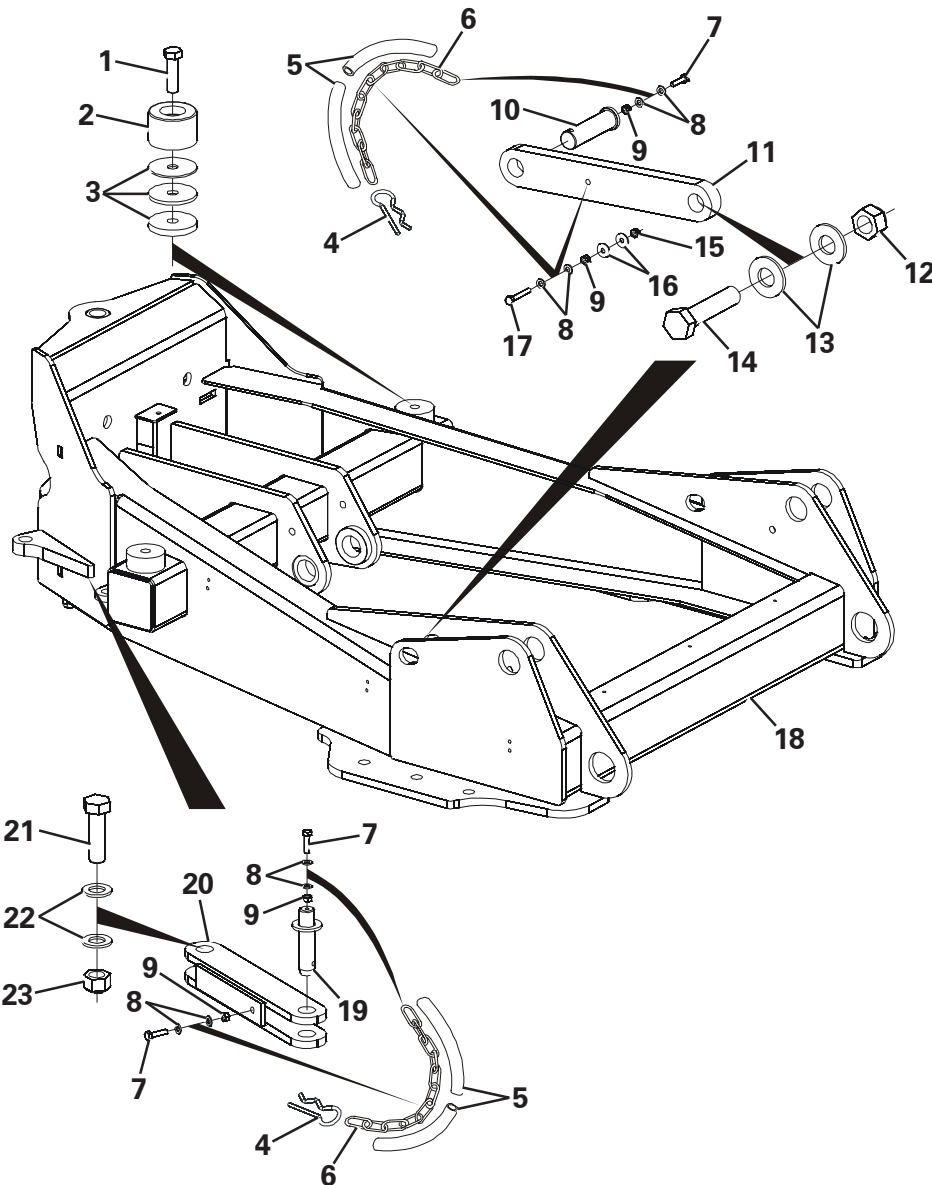
Cross Brace Assembly

SKIP ASSEMBLY

Item	Part No.	Description	Qty	U/M
1	T102923	SKIP	1.0	EA
2	T100029	BUSH	2.0	EA
3	T100099	CIRCLIP	2.0	EA
4	T100995	SKIP PIVOT PIN	2.0	EA
5	T13064	PHILIDAS NUT	6.0	EA
6	T10734	HEAVY DUTY WASHER	2.0	EA
7	T16505	SET SCREW	2.0	EA
8	T15819	WASHER	4.0	EA
9	T20618	SET SCREW	4.0	EA
10	T100964	FRONT NAMEPLATE	1.0	EA
11	T16481	NYLOC NUT	6.0	EA
12	T13911	WASHER	12.0	EA
13	T18068	MUDFLAP RETAINER	2.0	EA
14	T18059	RUBBER MUDFLAP	2.0	EA
15	T17086	DOME HEAD SCREW	6.0	EA



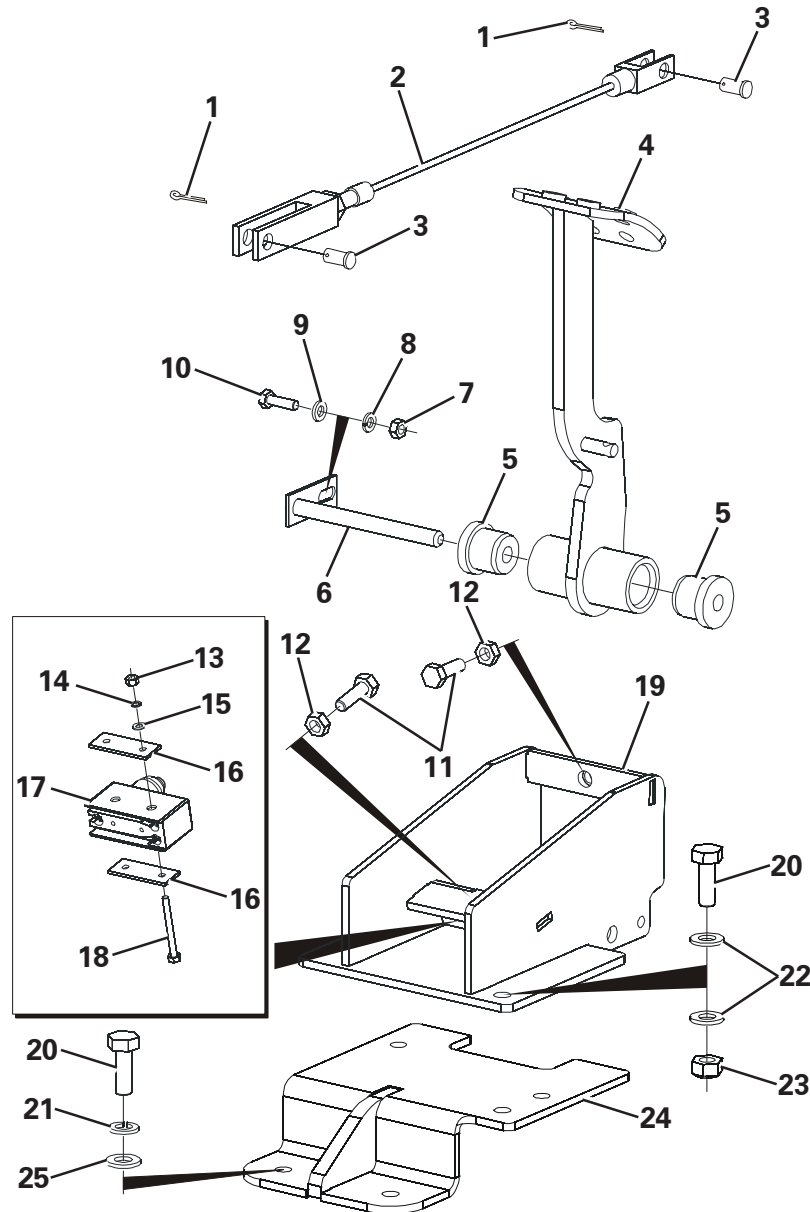
FRONT CHASSIS ASSEMBLY



Item	Part No.	Description	Qty	U/M
1	T15571	BOLT	2.0	EA
2	T100302	SKIP PAD	2.0	EA
3	T100578	SKIP PAD SPACER 3mm	A/R	EA
	T100303	SKIP PAD SPACER 5mm	A/R	EA
	T100386	SKIP PAD SPACER 10mm	A/R	EA
4	T10012	R CLIP	2.0	EA
5	T19465	CHAIN SLEEVE	4.0	EA
6	T18186	PIN RETAINING CHAIN	2.0	EA
7	T16476	SET SCREW	3.0	EA
8	T13911	WASHER	8.0	EA
9	T10431	NUT	4.0	EA
10	T101185	SKIP PROP PIN	1.0	EA
11	T100963	SKIP PROP	1.0	EA
12	T20320	PHILIDAS NUT	1.0	EA
13	T7695	HEAVY DUTY WASHER	2.0	EA
14	T101269	BOLT	1.0	EA
15	T16481	NYLOC NUT	1.0	EA
16	T15830	HEAVY DUTY WASHER	2.0	EA
17	T16506	BOLT	1.0	EA
18	T102739	FRONT CHASSIS	1.0	EA
19	T101036	CHASSIS LOCK PIN ASSY	1.0	EA
20	T101035	CHASSIS LOCK BAR ASSY	1.0	EA
21	T100310	BOLT	1.0	EA
22	T17306	WASHER	2.0	EA
23	T13739	PHILIDAS NUT	1.0	EA

Front Chassis Assembly

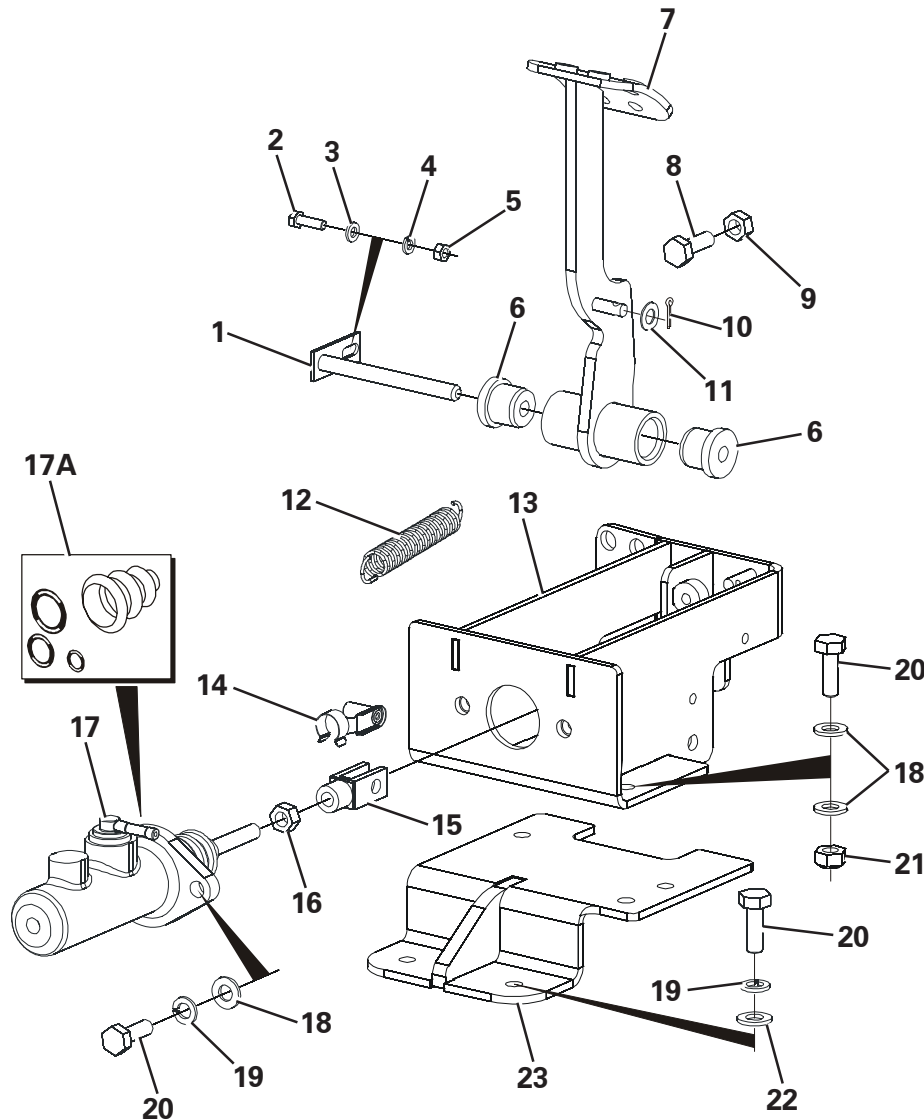
CLUTCH PEDAL ASSEMBLY



Item	Part No.	Description	Qty	U/M
1	T6702	SPLIT PIN	2.0	EA
2	T102725	CLUTCH CABLE	1.0	EA
3	T6951	CLEVIS PIN	2.0	EA
4	T100093	PEDAL	1.0	EA
5	T100110	BUSH	2.0	EA
6	T100096	PEDAL SHAFT	1.0	EA
7	T10431	NUT	1.0	EA
8	T14837	SPRING WASHER	1.0	EA
9	T15830	WASHER	1.0	EA
10	T16477	SET SCREW	1.0	EA
11	T12694	SET SCREW	2.0	EA
12	T9775	NUT	2.0	EA
13	T11447	NUT	2.0	EA
14	T11439	SPRING WASHER	2.0	EA
15	T11440	WASHER	2.0	EA
16	T13289	MICRO SWITCH BACKING PLATE	2.0	EA
17	T100223	MICRO SWITCH	1.0	EA
18	T13321	SET SCREW	2.0	EA
19	T100672	CLUTCH PEDAL BRKT	1.0	EA
20	T20618	SET SCREW	4.0	EA
21	T13362	SPRING WASHER	2.0	EA
22	T15819	WASHER	4.0	EA
23	T13064	PHILIDAS NUT	2.0	EA
24	T100984	PEDAL MOUNTING BRKT ASSY	1.0	EA
25	T10734	HEAVY DUTY WASHER	2.0	EA

Clutch Pedal Assembly

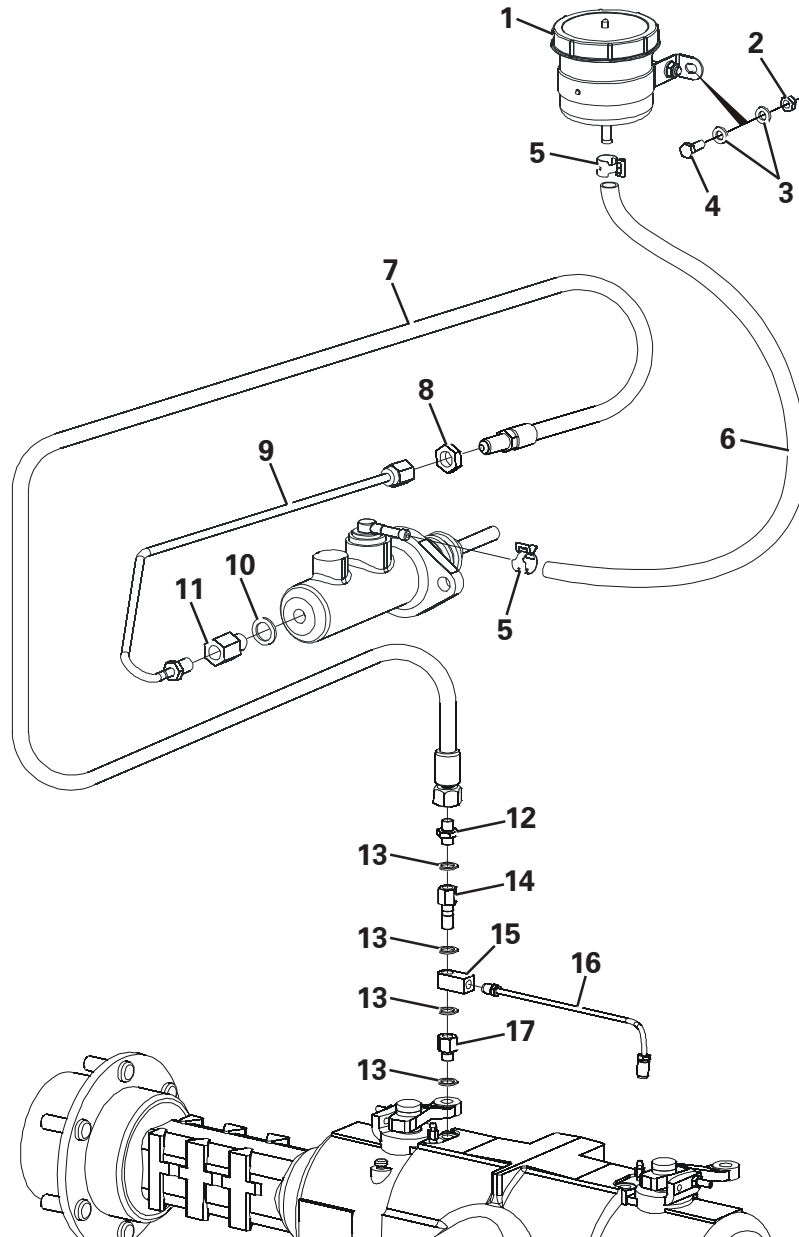
BRAKE PEDAL ASSEMBLY



Item	Part No.	Description	Qty	U/M
1	T100096	PEDAL SHAFT	1.0	EA
2	T16477	SET SCREW	1.0	EA
3	T13911	WASHER	1.0	EA
4	T14837	SPRING WASHER	1.0	EA
5	T10431	NUT	1.0	EA
6	T100110	BUSH	2.0	EA
7	T102416	PEDAL	1.0	EA
8	T12694	SET SCREW	1.0	EA
9	T9775	NUT	1.0	EA
10	T102540	SPLIT PIN	1.0	EA
11	T12973	WASHER	1.0	EA
12	T100318	BRAKE SPRING	1.0	EA
13	T102397	BRAKE PEDAL BRACKET	1.0	EA
14	T102374	SPRING CLEVIS PIN	1.0	EA
15	T102365	FORK END	1.0	EA
16	T19015	LOCK NUT	1.0	EA
17	T102891	MASTER CYLINDER	1.0	EA
17A	T53888	MASTER CYLINDER MAJOR KIT	1.0	EA
18	T15819	WASHER	6.0	EA
19	T13362	SPRING WASHER	4.0	EA
20	T20618	SET SCREW	6.0	EA
21	T13064	PHILIDAS NUT	2.0	EA
22	T10734	HEAVY DUTY WASHER	2.0	EA
23	T100984	PEDAL MOUNTING BRKT ASSY	1.0	EA

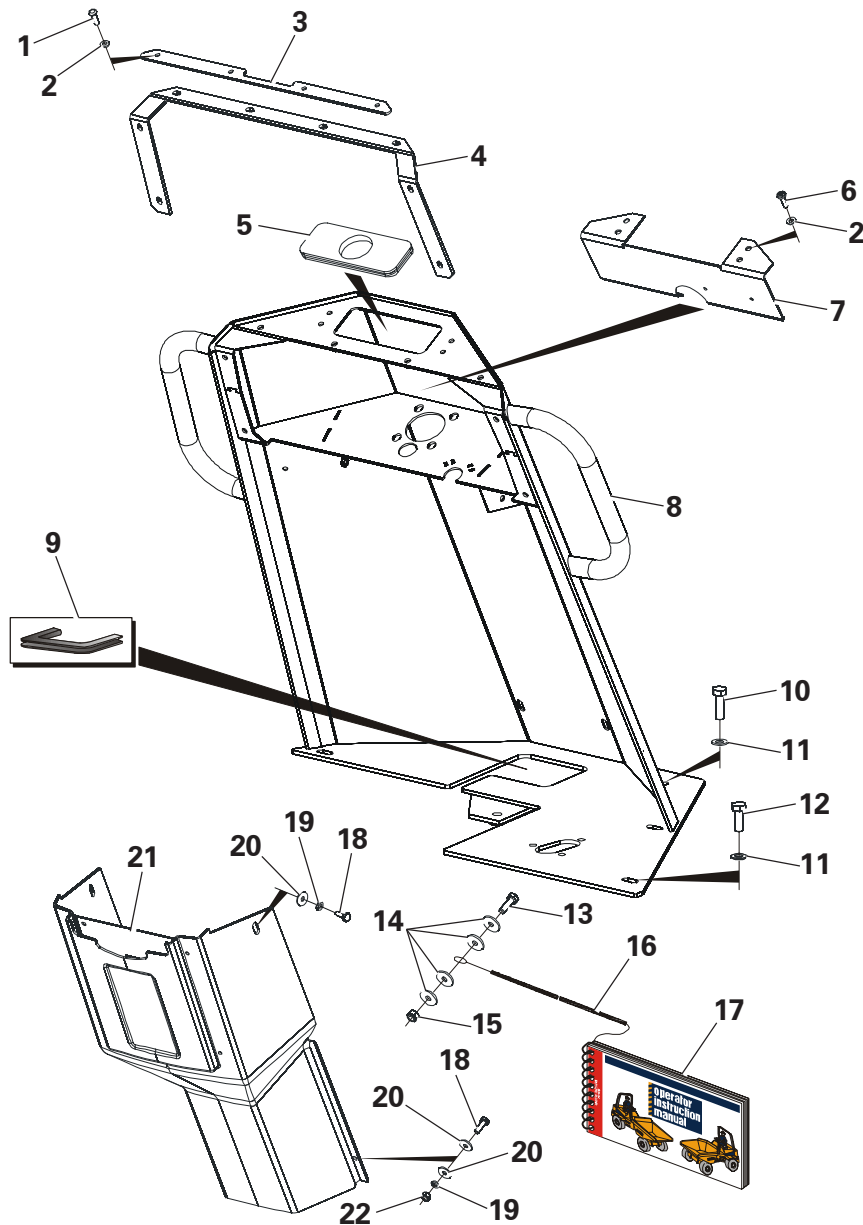
Brake Pedal Assembly

BRAKE CIRCUIT



Item	Part No.	Description	Qty	U/M
1	T100402	RESERVOIR	1.0	EA
2	T16481	NYLOC NUT	2.0	EA
3	T13911	WASHER	4.0	EA
4	T10917	SET SCREW	2.0	EA
5	T100691	HOSE CLIP	2.0	EA
6	T100747	BRAKE HOSE	1.0	EA
7	T102733	BRAKE PIPE	1.0	EA
8	T8942	LOCK NUT	1.0	EA
9	T100702	BRAKE PIPE	1.0	EA
10	T10940	DOWTY WASHER	1.0	EA
11	T100701	ADAPTOR	1.0	EA
12	T15175	ADAPTOR	1.0	EA
13	T15176	DOWTY WASHER	4.0	EA
14	T102514	BRAKE TEE BANJO BOLT	1.0	EA
15	T102513	BRAKE PIPE TEE	1.0	EA
16	T102731	REAR AXLE BRAKE PIPE	1.0	EA
17	T102868	MALE/FEMALE ADAPTOR	1.0	EA

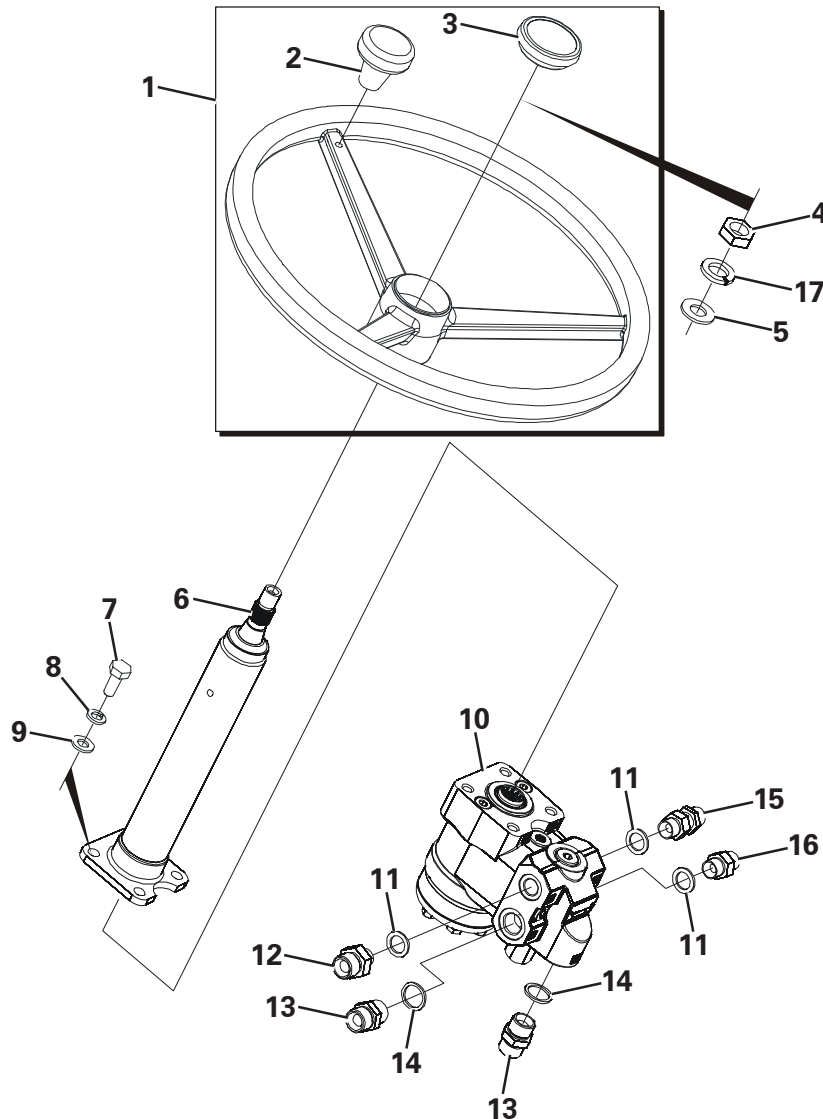
LEG GUARD ASSEMBLY



Item	Part No.	Description	Qty	U/M
1	T100315	DOME HEAD SCREW	4.0	EA
2	T13911	WASHER	8.0	EA
3	T100506	CLAMPING STRIP	1.0	EA
4	T100320	SEALING GASKET	1.0	EA
5	T100300	STEERING COLUMN GROMMET	1.0	EA
6	T16492	PAN HEAD SCREW	4.0	EA
7	T100540	SPLASH GUARD	1.0	EA
8	T102732	LEG GUARD ASSY	1.0	EA
9	T52795	E J TRIM	1.0	EA
10	T16505	SET SCREW	2.0	EA
11	T10734	HEAVY DUTY WASHER	5.0	EA
12	T20618	SET SCREW	3.0	EA
13	T12694	SET SCREW	1.0	EA
14	T9345	HEAVY DUTY WASHER	4.0	EA
15	T13457	NYLOC NUT	1.0	EA
16	T100699	RETAINING CABLE	1.0	EA
17	T102958	OPERATOR BOOK	1.0	EA
18	T10917	SET SCREW	4.0	EA
19	T14837	SPRING WASHER	4.0	EA
20	T15830	HEAVY DUTY WASHER	6.0	EA
21	T100159	INNER LEG GUARD	1.0	EA
22	T10431	NUT	2.0	EA

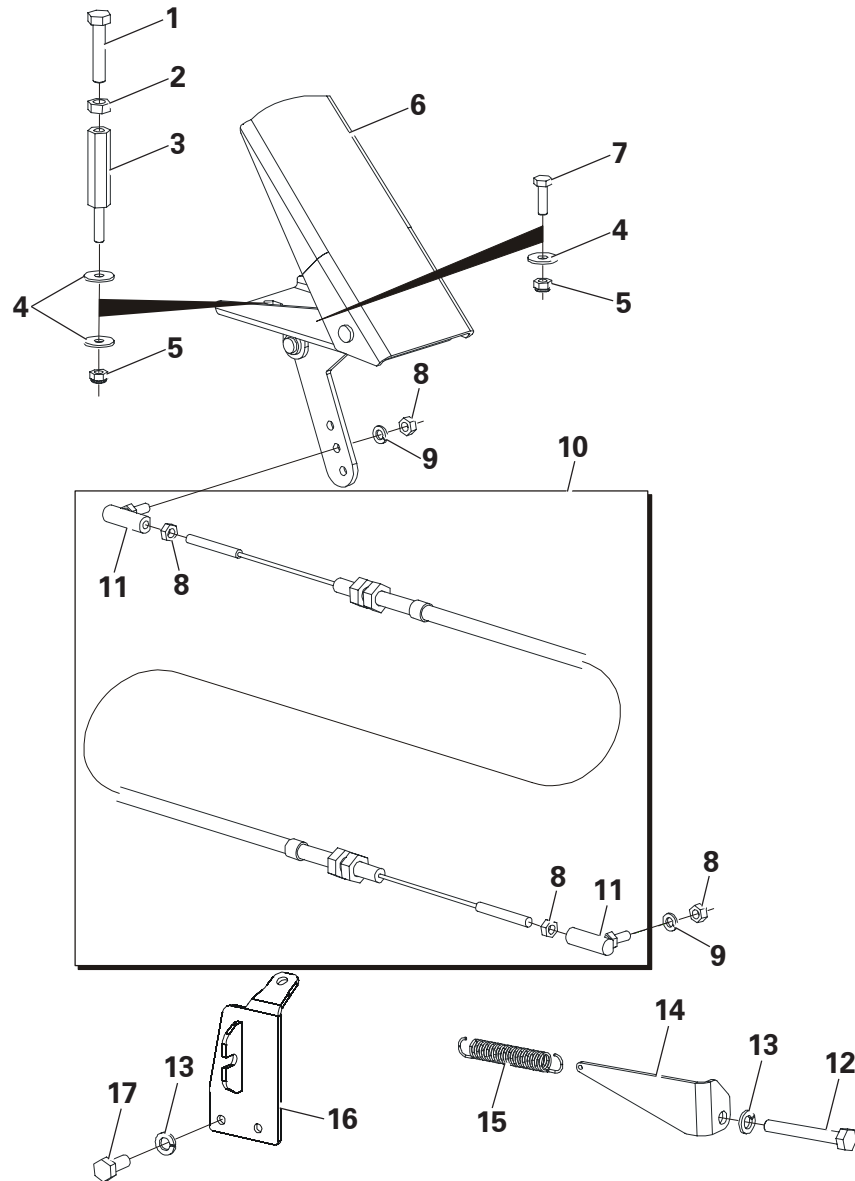
Leg Guard Assembly

STEERING ASSEMBLY



Item	Part No.	Description	Qty	U/M
1	T100496	STEERING WHEEL	1.0	EA
2	T52520	SPINNER KNOB	1.0	EA
3	T50541	CENTRE CAP	1.0	EA
4*	T53853	NUT	1.0	EA
5	T6765	WASHER	1.0	EA
6	T100015	STEERING COLUMN	1.0	EA
7	T20618	SET SCREW	4.0	EA
8	T13362	SPRING WASHER	4.0	EA
9	T15819	WASHER	4.0	EA
10	T102911	STEERING PRIORITY VALVE	1.0	EA
	T53880	SEAL KIT	1.0	EA
11	T5637	DOWTY WASHER	3.0	EA
12	T11165	ADAPTOR	1.0	EA
13	T13936	ADAPTOR	2.0	EA
14	T5596	DOWTY WASHER	2.0	EA
15	T100392	ADAPTOR	1.0	EA
16	T13606	ADAPTOR	1.0	EA
17*	T100387	SPRING WASHER	1.0	EA

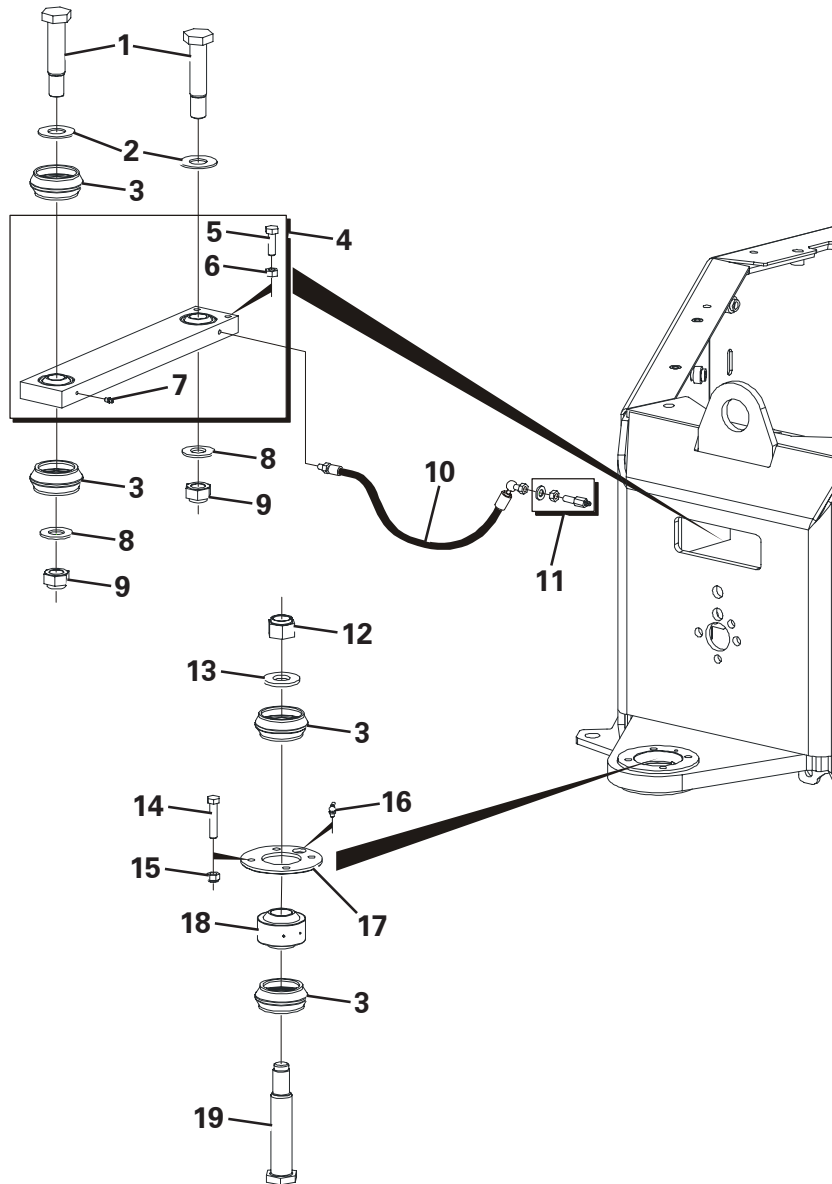
THROTTLE ASSEMBLY



Item	Part No.	Description	Qty	U/M
1	T12823	BOLT	1.0	EA
2	T9775	NUT	1.0	EA
3	T101032	THROTTLE STOP	1.0	EA
4	T15830	HEAVY DUTY WASHER	4.0	EA
5	T16481	NYLOC NUT	3.0	EA
6	T101965	THROTTLE PEDAL	1.0	EA
7	T16477	SET SCREW	2.0	EA
8	T10431	NUT	4.0	EA
9	T14837	SPRING WASHER	2.0	EA
10	T101785	THROTTLE CABLE	1.0	EA
11	T16192	AMEL END	2.0	EA
12	T17157	BOLT	1.0	EA
13	T12972	SPRING WASHER	3.0	EA
14	T101768	THROTTLE SPRING MTG	1.0	EA
15	T18452	SPRING	1.0	EA
16	T101273	THROTTLE CABLE REACTION	1.0	EA
17	T7465	SET SCREW	2.0	EA

Throttle Pedal Assembly

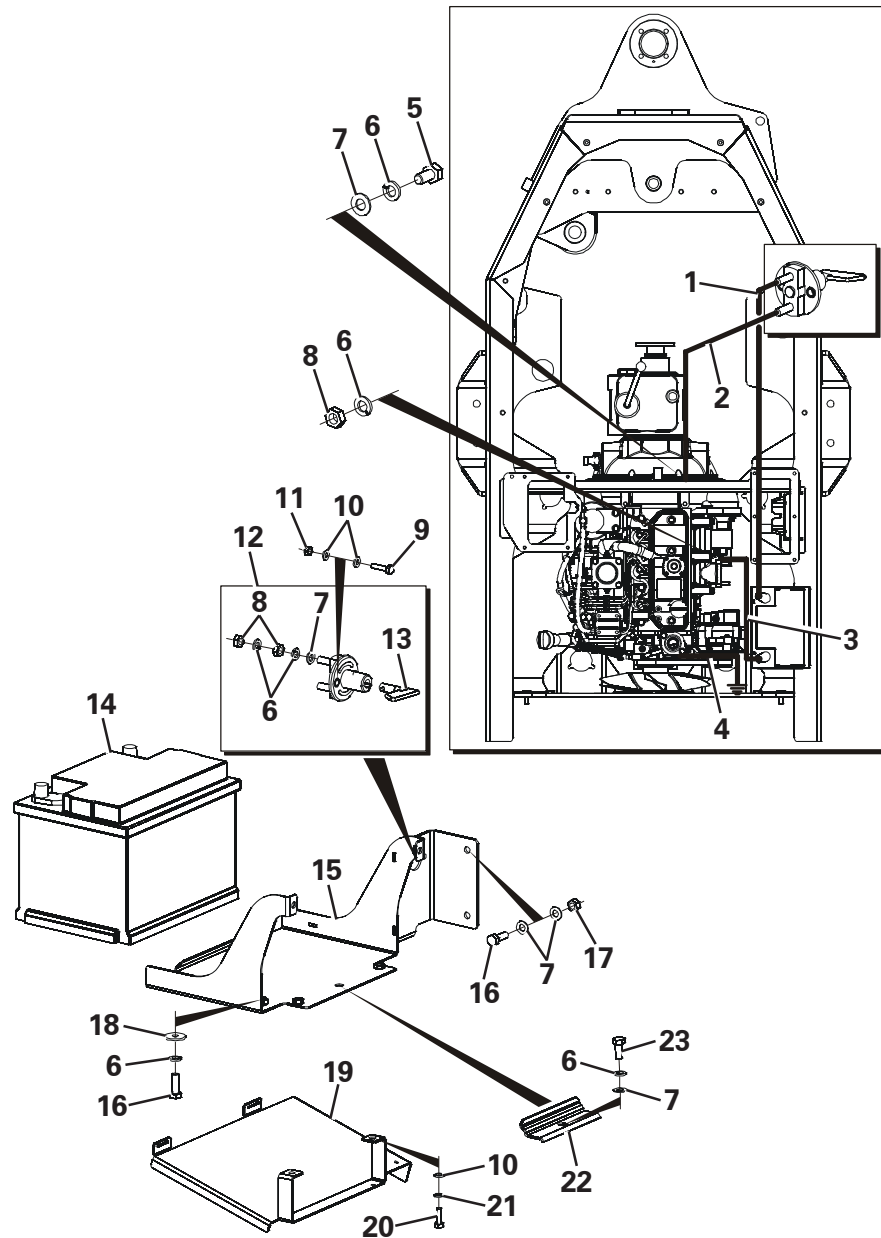
KINGLINK ASSEMBLY



Item	Part No.	Description	Qty	U/M
1	T100593	TOP PIVOT BOLT	2.0	EA
2	T6768	WASHER	2.0	EA
3	T10160	RUBBER DUST SEAL	4.0	EA
4	T52796	KINGLINK ASSEMBLY	1.0	EA
5	T16505	SET SCREW	2.0	EA
6	T12509	NUT	2.0	EA
7	T16586	GREASE NIPPLE	1.0	EA
8	T11811	HEAVY DUTY WASHER	2.0	EA
9	T10143	NUT	2.0	EA
10	T100727	GREASE PIPE	1.0	EA
11	T100390	GREASE NIPPLE ASSEMBLY	1.0	EA
12	T10331	LOCKNUT	1.0	EA
13	T7695	HEAVY DUTY WASHER	1.0	EA
14	T101725	BOLT	4.0	EA
15	T101724	NYLOC NUT	4.0	EA
16	T16588	GREASE NIPPLE	1.0	EA
17	T100527	LOWER BEARING CAP	1.0	EA
18	T100268	SPHERICAL BEARING	1.0	EA
19	T101037	PIVOT BOLT	1.0	EA

BATTERY BOX ASSEMBLY

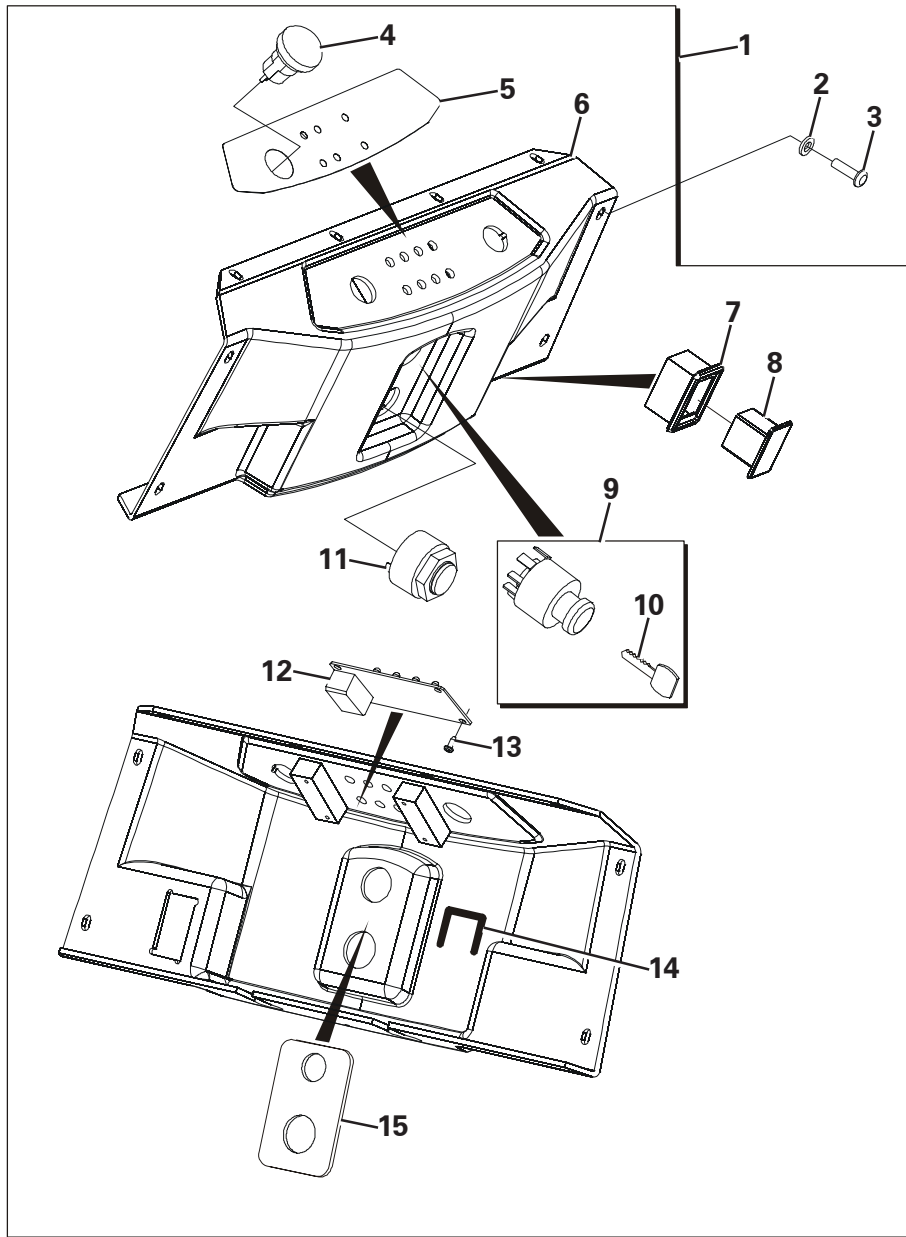
Item	Part No.	Description	Qty	U/M
1	T102701	BATTERY NEGATIVE CABLE	1.0	EA
2	T102702	ISOLATOR CABLE	1.0	EA
3	T102700	BATTERY POSITIVE CABLE	1.0	EA
4	T100665	EARTH LEAD	1.0	EA
5	T11673	SET SCREW	1.0	EA
6	T12972	SPRING WASHER	9.0	EA
7	T12973	WASHER	8.0	EA
8	T9775	NUT	5.0	EA
9	T16476	SET SCREW	2.0	EA
10	T13911	WASHER	6.0	EA
11	T16481	NYLOC NUT	2.0	EA
12	T20846	BATTERY ISOLATOR SWITCH	1.0	EA
13	T52600	KEY	1.0	EA
14	T100967	BATTERY	1.0	EA
15	T102712	BATTERY BASE PLATE ASSY	1.0	EA
16	T12694	SET SCREW	4.0	EA
17	T13457	NYLOC NUT	2.0	EA
18	T9345	HEAVY DUTY WASHER	2.0	EA
19	T102710	HEAT SHIELD	1.0	EA
20	T16477	SET SCREW	2.0	EA
21	T14837	SPRING WASHER	2.0	EA
22	T102877	BATTERY CLAMP	1.0	EA
23	T7465	SET SCREW	1.0	EA



Battery Box Assembly

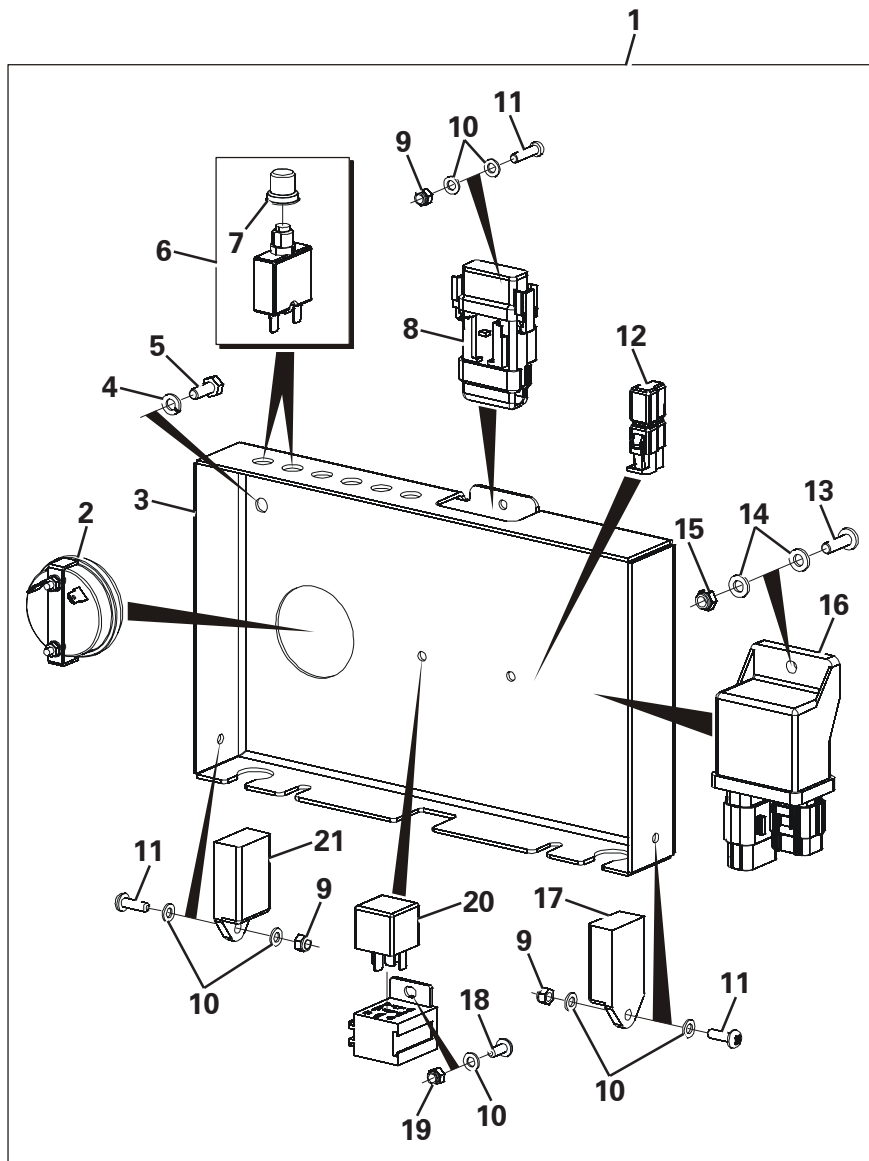
DASH PANEL ASSEMBLY

Item	Part No.	Description	Qty	U/M
1	T102677	ELECTRICAL SYSTEM	1.0	EA
2	T13911	WASHER	4.0	EA
3	T100315	DOME HEAD SCREW	4.0	EA
4	T52302	HORN PUSH	1.0	EA
5	T100635	CONSOLE DECAL	1.0	EA
6	T102797	DASHPANEL MOULDING	1.0	EA
7	T102798	SWITCH MOULDING PANEL	1.0	EA
8	T52303	SWITCH BLANK	1.0	EA
9	T102451	IGNITION SWITCH	1.0	EA
10	T50479	STARTER SWITCH KEY	1.0	EA
11	T100902	BUZZER	1.0	EA
12	T101128	LED MODULE	1.0	EA
13	T101135	SCREW	4.0	EA
14	T101590	ZENER DIODE	1.0	EA
15	T102459	BACK PLATE IGNITION SWITCH	1.0	EA



Dash Panel Assembly

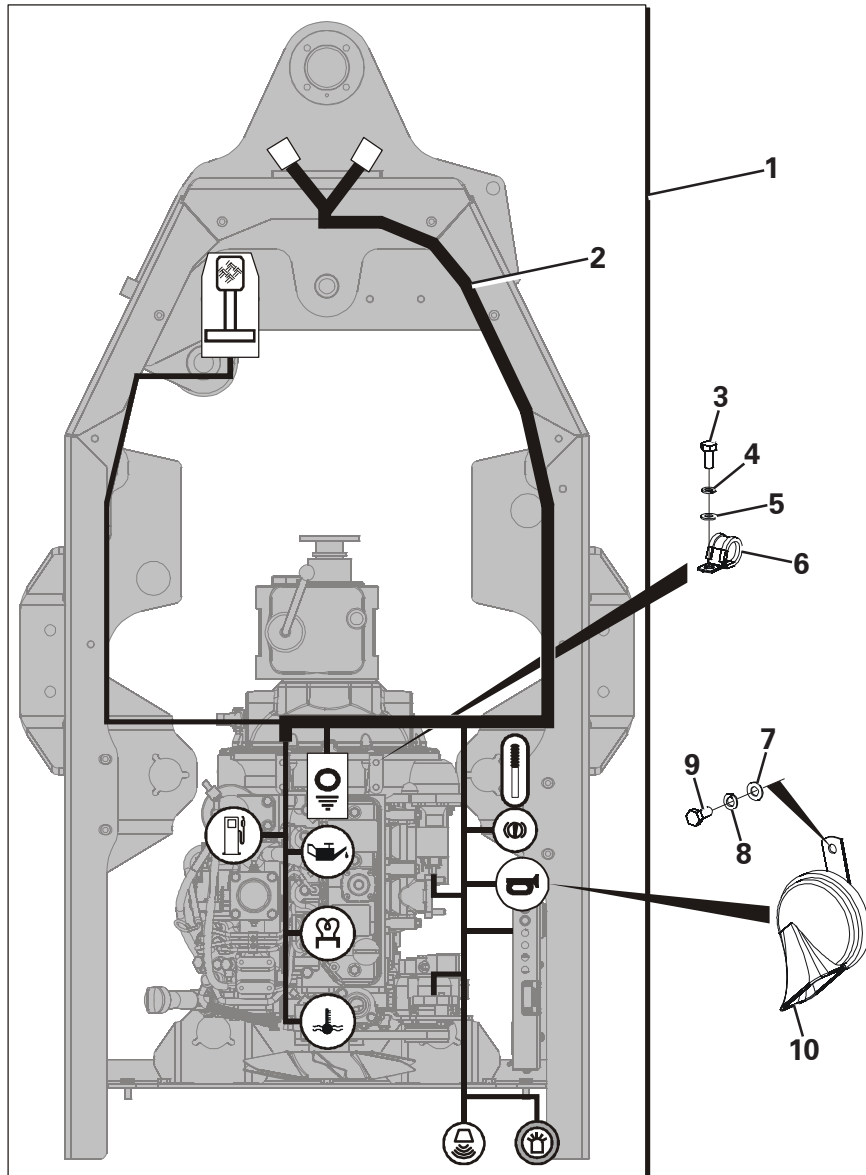
ELECTRICS BOX



Item	Part No.	Description	Qty	U/M
1		Part of ITEM 1 on PAGE 16		
2	T16538	HOURMETER	1.0	EA
3	T102711	ELECTRICS BOX	1.0	EA
4	T14837	SPRING WASHER	2.0	EA
5	T10917	SET SCREW	2.0	EA
6	T102845	CIRCUIT BREAKER 18A	2.0	EA
7	T102846	CIRCUIT BREAKER SPLASHGUARD	2.0	EA
8	T101450	MAXIFUSE 30AMP	1.0	EA
9	T16613	NYLOC NUT	3.0	EA
10	T16612	WASHER	7.0	EA
11	T16611	CHEESE HEAD SCREW	3.0	EA
12	T52724	DIODE	1.0	EA
13	T16492	PAN HEAD SCREW	1.0	EA
14	T13911	WASHER	2.0	EA
15	T16481	NYLOC NUT	1.0	EA
16	T101777	SAFETY RELAY	1.0	EA
17	T52725	GLOW PLUG - TIMER	1.0	EA
18	T103120	SET SCREW	1.0	EA
19	T13467	NUT	1.0	EA
20	T101129	RELAY	1.0	EA
21	T52726	STOP SOLENOID - TIMER	1.0	EA

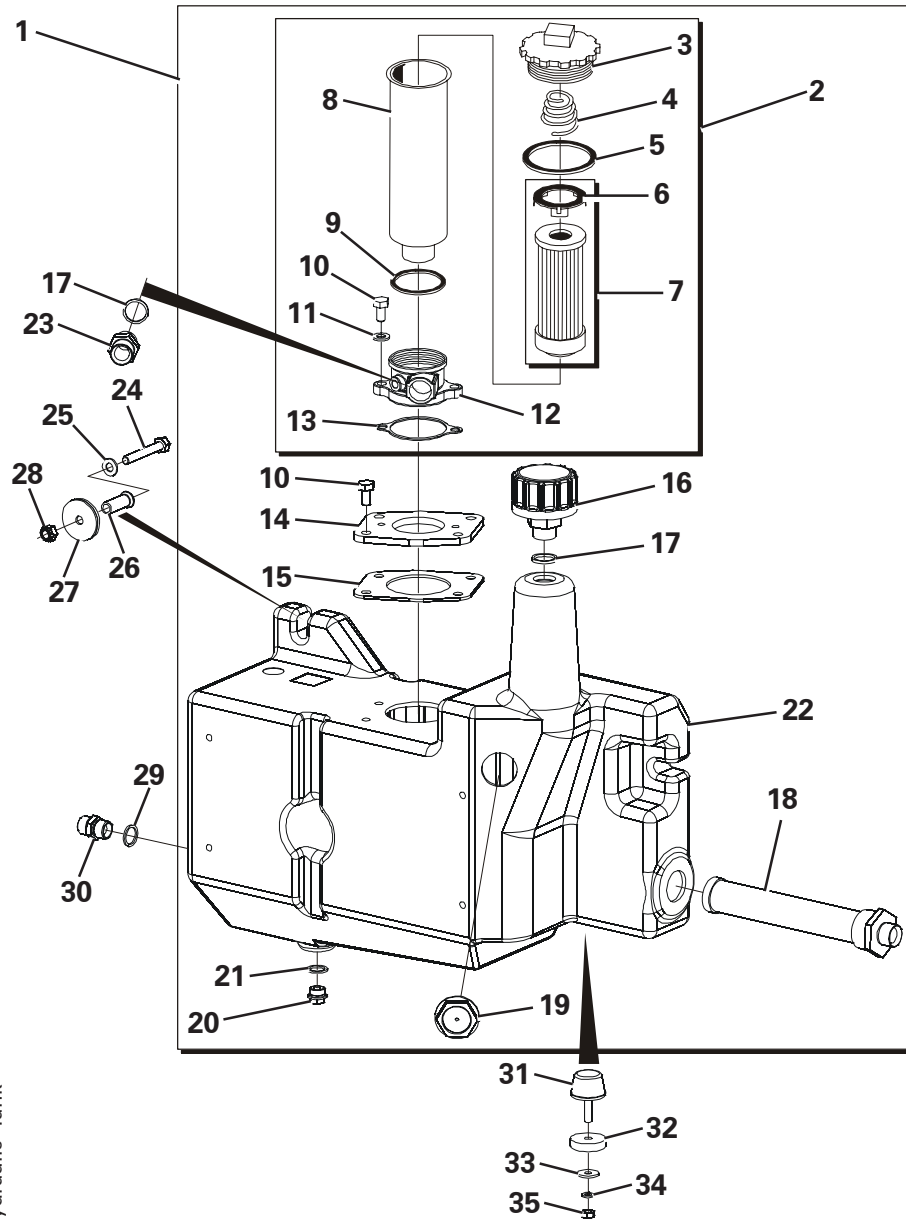
ENGINE HARNESS

Item	Part No.	Description	Qty	U/M
1		Part of ITEM 1 on PAGE 16		
2	T102676	ENGINE/PANEL LOOM	1.0	EA
3	T7466	SET SCREW	1.0	EA
4	T13362	SPRING WASHER	1.0	EA
5	T10734	HEAVY DUTY WASHER	1.0	EA
6	T9914	P CLIP	1.0	EA
7	T12973	WASHER	1.0	EA
8	T12972	SPRING WASHER	1.0	EA
9	T7465	SET SCREW	1.0	EA
10	T100017	HORN	1.0	EA



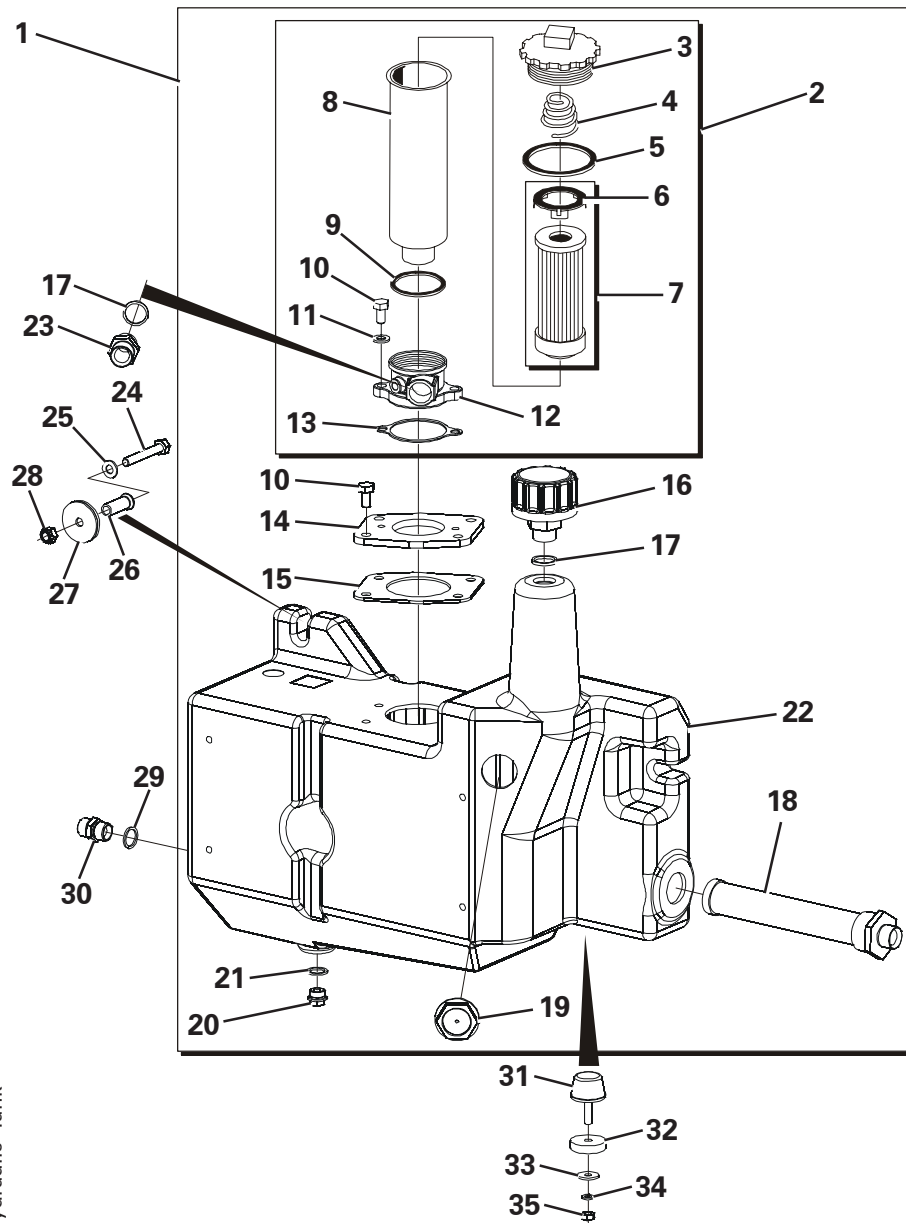
Engine Harness

HYDRAULIC TANK ASSEMBLY



Item	Part No.	Description	Qty	U/M
1	T101083	HYD TANK ASSY	1.0	EA
2	T101097	FILLER/FILTER	1.0	EA
3	T52624	CAP	1.0	EA
4	T52625	SPRING	1.0	EA
5	T52626	SEAL	1.0	EA
6	T52627	FILTER CLIP	1.0	EA
7	T52286	HYDRAULIC ELEMENT	1.0	EA
8	T52628	LOWER CASING	1.0	EA
9	T52629	SEAL	1.0	EA
10	T52598	FIXING BOLT	6.0	EA
11	T15819	PLAIN WASHER	2.0	EA
12	T53135	FILTER HEAD	1.0	EA
13	T53113	GASKET	1.0	EA
14	T101084	FILTER SEALING PLATE	1.0	EA
15	T52495	FILTER SEALING GASKET	1.0	EA
16	T52496	FILLER / BREATHER	1.0	EA
17	T5594	HYD SEAL	2.0	EA
18	T101240	SUCTION STRAINER	1.0	EA

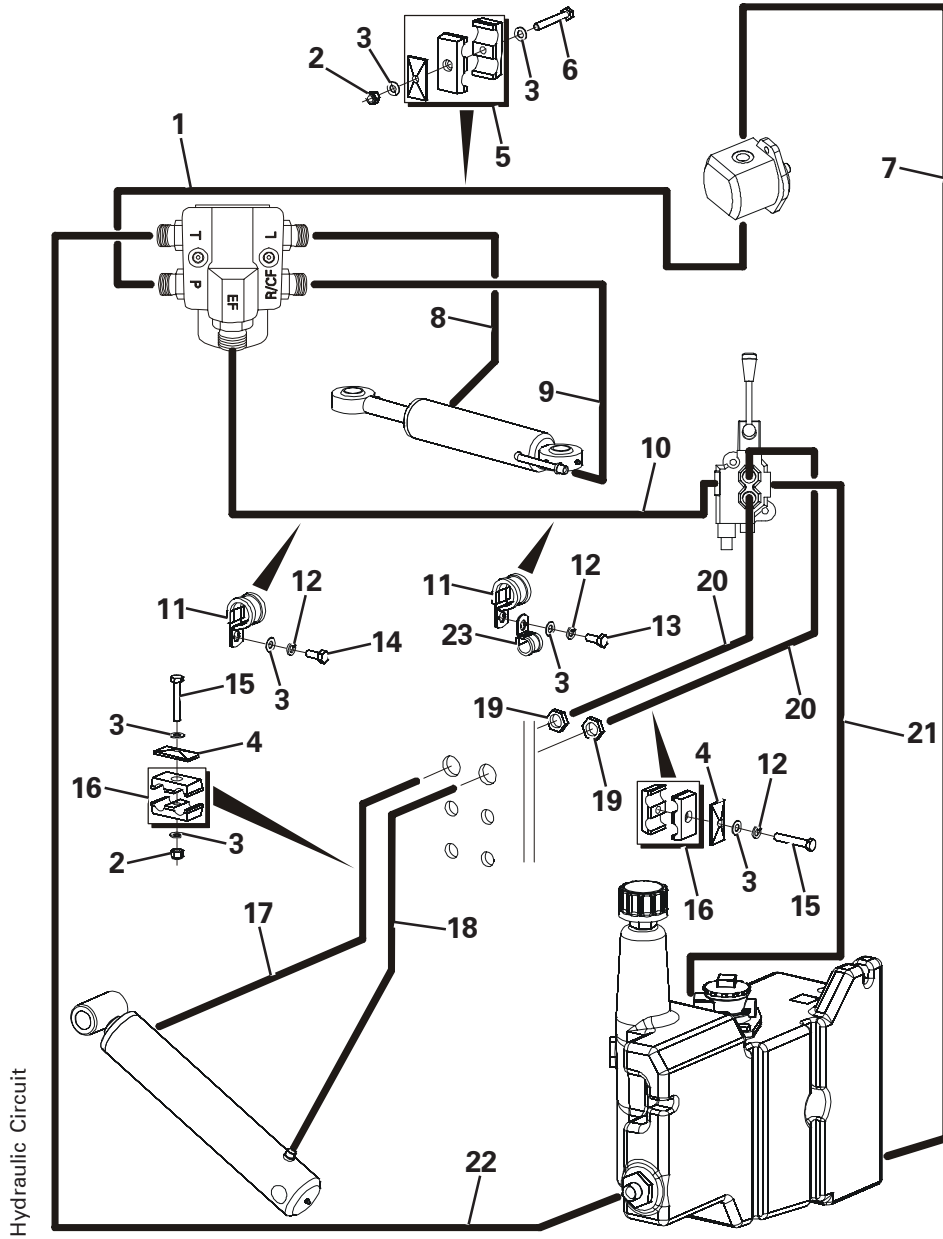
HYDRAULIC TANK ASSEMBLY



Item	Part No.	Description	Qty	U/M
19	T101085	LEVEL INDICATOR	1.0	EA
20	T52282	DRAIN PLUG	1.0	EA
21	T52588	FIBRE WASHER	1.0	EA
22	T101080	MOULDED HYD TANK	1.0	EA
23	T8014	ADAPTOR	1.0	EA
24	T17963	BOLT	2.0	EA
25	T10734	HEAVY DUTY WASHER	2.0	EA
26	T100372	TANK SPACER	2.0	EA
27	T100323	WASHER RUBBER BACKED	2.0	EA
28	T13064	PHILIDAS NUT	2.0	EA
29	T5596	DOWTY WASHER	1.0	EA
30	T13936	ADAPTOR	1.0	EA
31	T100214	RUBBER BUFFER	2.0	EA
32	T101168	TANK MOUNTING SPACER	2.0	EA
33	T9345	HEAVY DUTY WASHER	2.0	EA
34	T12972	SPRING WASHER	2.0	EA
35	T9775	NUT	2.0	EA

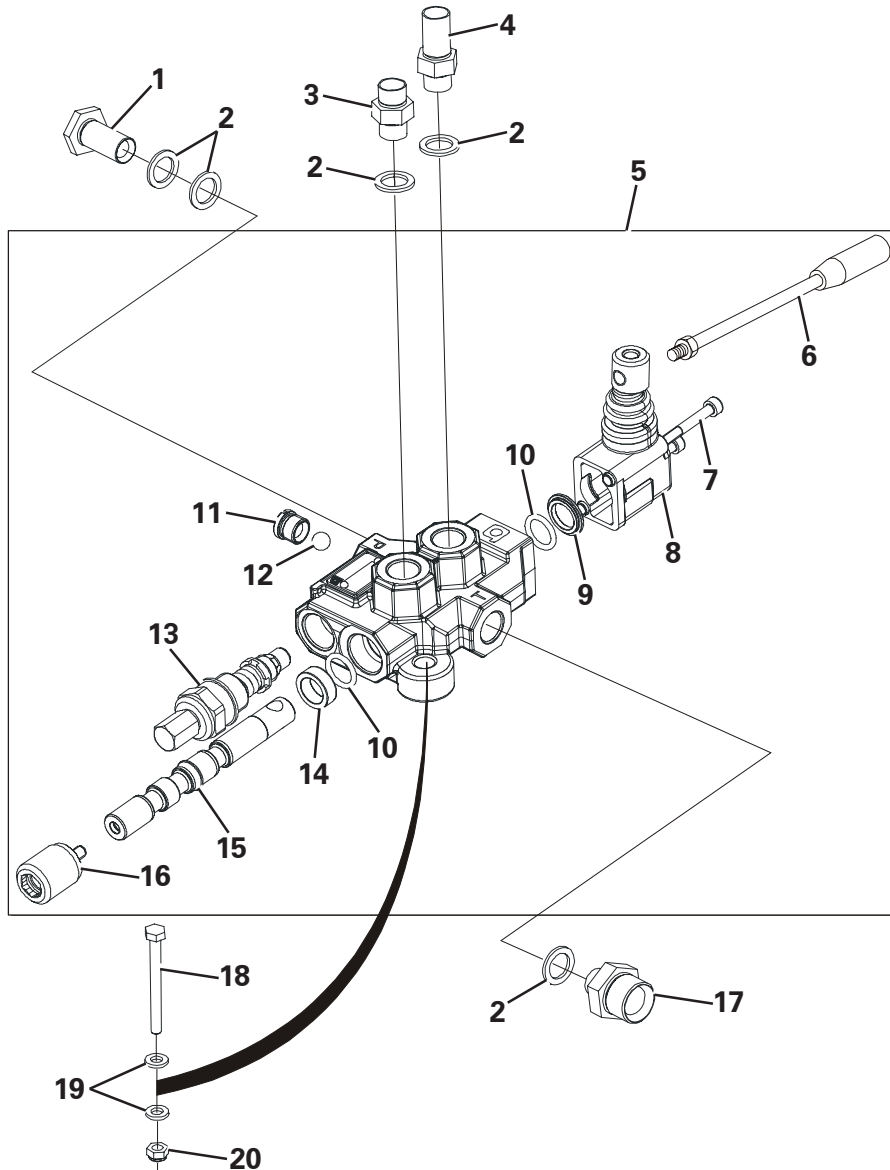
HYDRAULIC CIRCUIT

Item	Part No.	Description	Qty	U/M
1	T102789	HOSE	1.0	EA
2	T13457	NYLOC NUT	2.0	EA
3	T12973	WASHER	7.0	EA
4	T102170	CLAMP COVER PLATE	2.0	EA
5	T101389	PIPE CLAMP	1.0	EA
6	T17157	BOLT	1.0	EA
7	T102791	HOSE	1.0	EA
8	T101276	HOSE	1.0	EA
9	T101214	HOSE	1.0	EA
10	T101225	HOSE	1.0	EA
11	T9914	P CLIP	2.0	EA
12	T12972	SPRING WASHER	3.0	EA
13	T7465	SET SCREW	1.0	EA
14	T11673	SET SCREW	1.0	EA
15	T100353	BOLT	2.0	EA
16	T102406	CLAMP	2.0	EA
17	T101222	HOSE	1.0	EA
18	T101221	HOSE	1.0	EA
19	T7882	LOCKNUT	2.0	EA
20	T101216	HOSE	2.0	EA
21	T102195	HOSE	1.0	EA
22	T101215	HOSE	1.0	EA
23	T11514	P CLIP	1.0	EA



Hydraulic Circuit

TIPPING VALVE ASSEMBLY

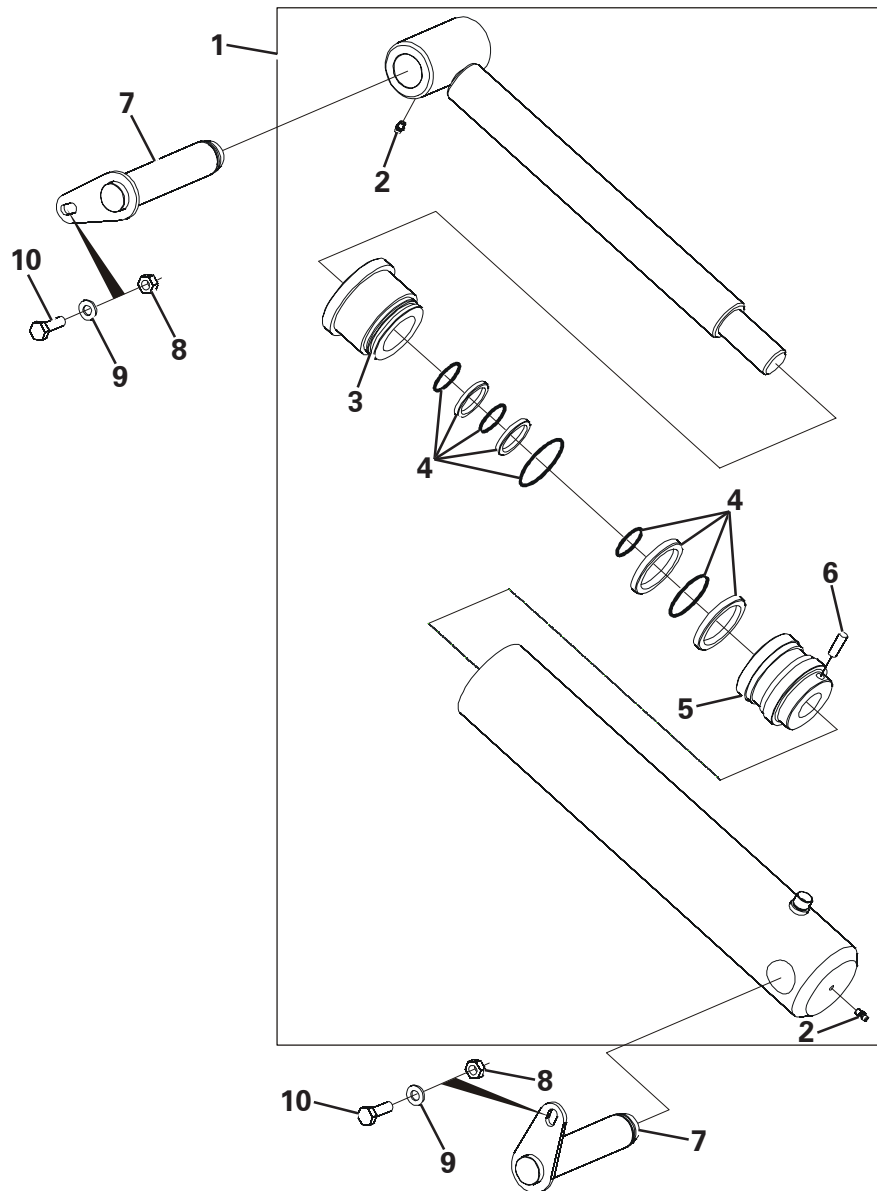


Item	Part No.	Description	Qty	U/M
1	T52793	BANJO BOLT	1.0	EA
2	T5637	DOWTY WASHER	5.0	EA
3	T13606	ADAPTOR	1.0	EA
4	T100392	ADAPTOR	1.0	EA
5	T101114	TIPPING VALVE	1.0	EA
6	T53313	LEVER	1.0	EA
7	T53312	SOCKET SCREW	2.0	EA
8	T53311	LEVER ASSEMBLY	1.0	EA
9	T53306	FLANGED WASHER	1.0	EA
10	T53304	SEAL	2.0	EA
11	T53309	CHECK VALVE	1.0	EA
12	T53310	BALL	1.0	EA
13	T52674	VALVE	1.0	EA
14	T53305	SPACER	1.0	EA
15	T53307	SPOOL	1.0	EA
16	T53308	POSITIONER	1.0	EA
17	T101242	ADAPTOR	1.0	EA
18	T14277	BOLT	2.0	EA
19	T13911	WASHER	4.0	EA
20	T16481	NYLOC NUT	2.0	EA

Tipping Valve Assembly

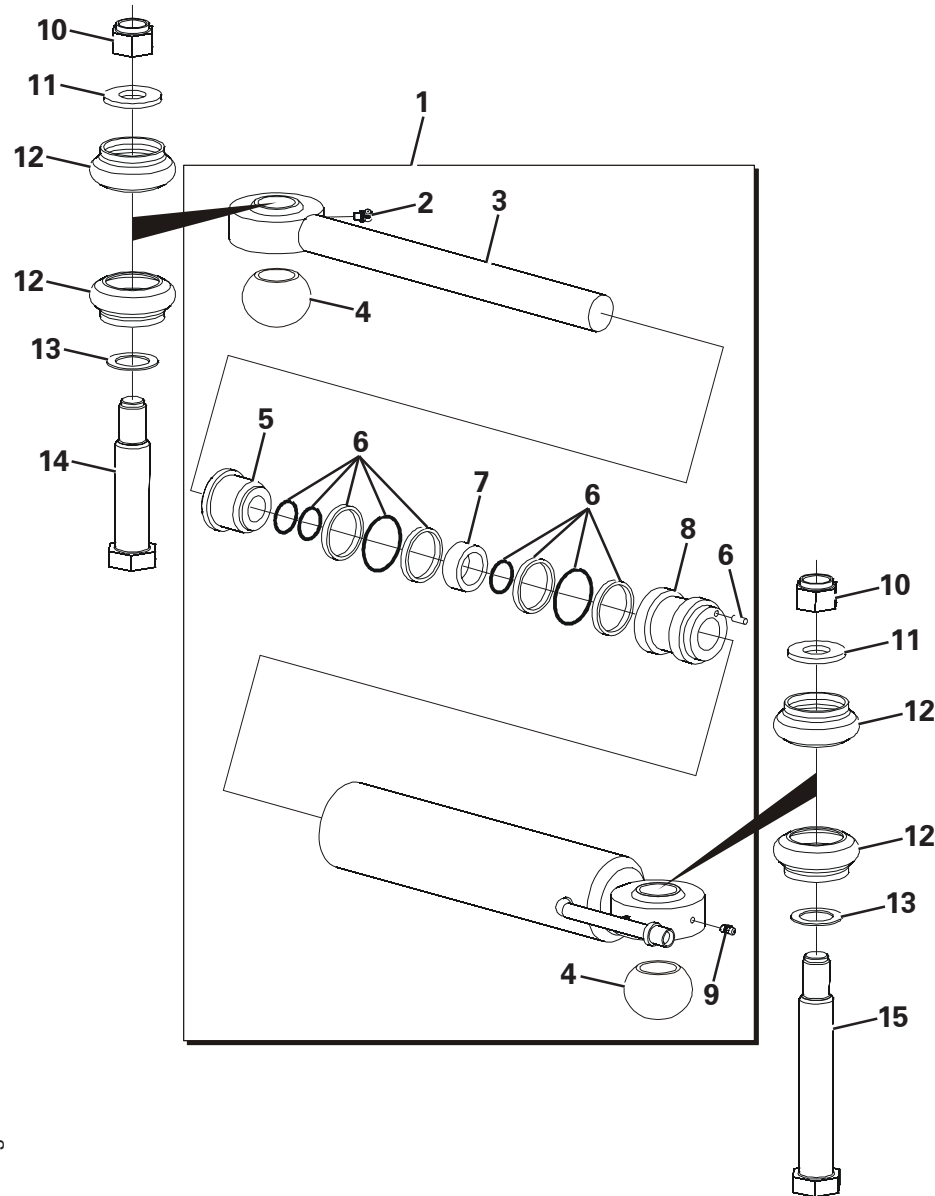
TIPPING RAM ASSEMBLY

Item	Part No.	Description	Qty	U/M
1	T102675	TIPPING RAM	1.0	EA
2	T53445	GREASE NIPPLE	2.0	EA
3	T53482	GLAND	1.0	EA
4	T53485	SEAL KIT	1.0	EA
5	T53483	PISTON HEAD	1.0	EA
6	T53505	GRUB SCREW	1.0	EA
7	T100088	PIVOT PIN	2.0	EA
8	T13064	PHILIDAS NUT	2.0	EA
9	T10734	HEAVY DUTY WASHER	2.0	EA
10	T16505	SET SCREW	2.0	EA



Tipping Ram

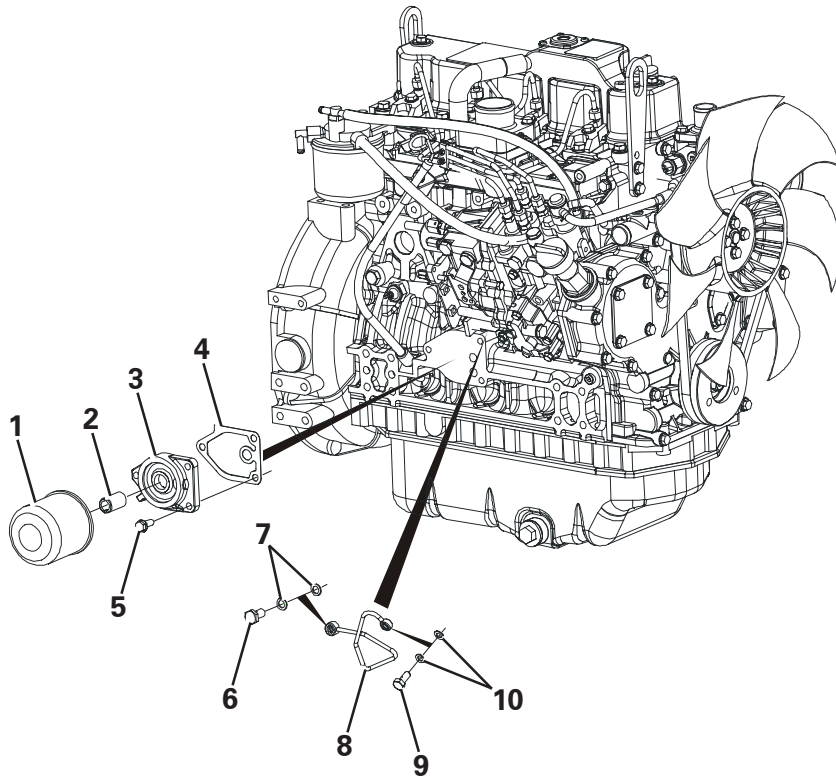
STEERING RAM ASSEMBLY



Item	Part No.	Description	Qty	U/M
1	T102156	STEERING RAM	1.0	EA
2	T53406	GREASE NIPPLE	1.0	EA
3	T53486	ROD ASSEMBLY	1.0	EA
4	T53379	SPHERICAL BEARING	2.0	EA
5	T53385	GLAND	1.0	EA
6	T53384	SEAL KIT	1.0	EA
7	T53487	SPACER	1.0	EA
8	T53386	PISTON HEAD	1.0	EA
9	T53477	GREASE NIPPLE	1.0	EA
10	T10331	PHILIDAS NUT	2.0	EA
11	T7695	HEAVY DUTY WASHER	2.0	EA
12	T101038	RAM DUST SEAL	4.0	EA
13	T8327	WASHER	2.0	EA
14	T101119	PIVOT BOLT	1.0	EA
15	T101311	PIVOT BOLT	1.0	EA

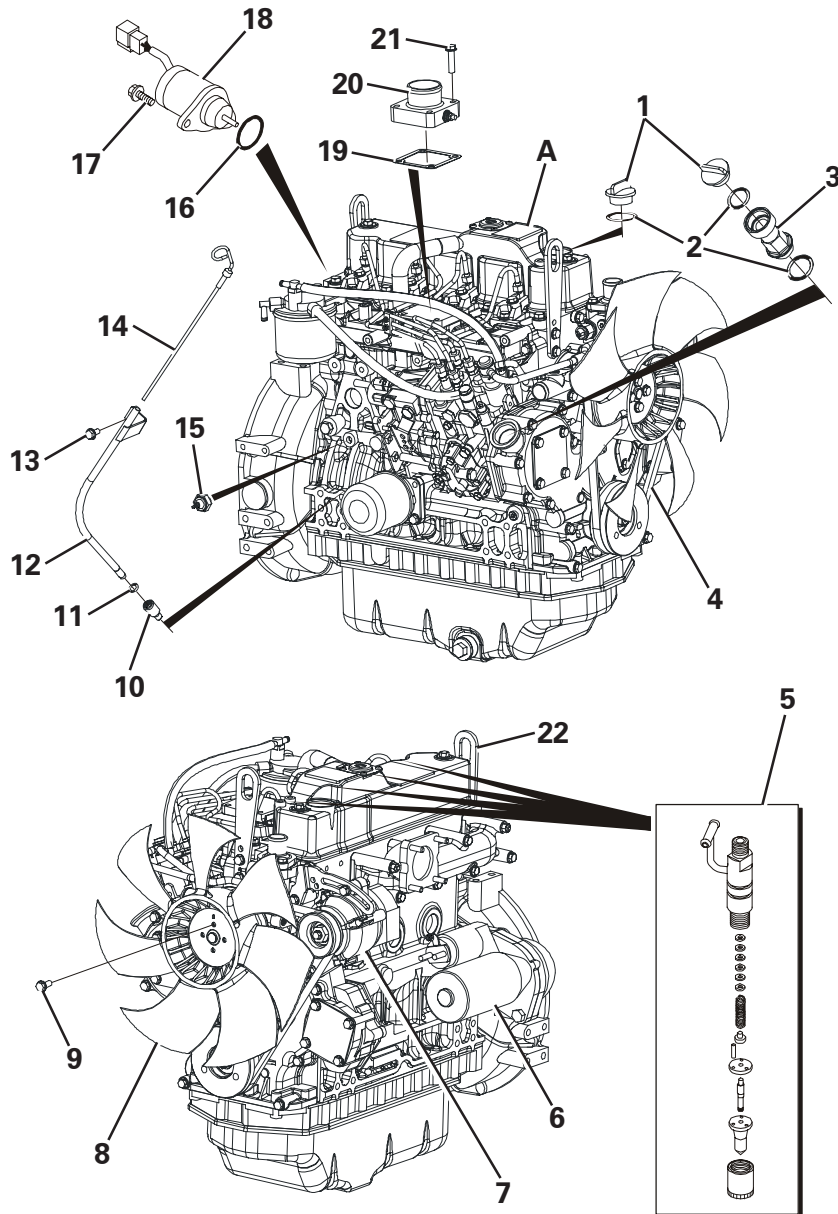
ENGINE - OIL FILTER ASSEMBLY

Item	Part No.	Description	Qty	U/M
1	T53281	OIL FILTER	1.0	EA
2	T52865	STUD	1.0	EA
3	T53317	BRACKET FILTER	1.0	EA
4	T53046	GASKET	1.0	EA
5	T53043	BOLT	3.0	EA
6	T53038	BOLT	1.0	EA
7	T53039	WASHER	2.0	EA
8	T53318	PIPE ASSEMBLY LUB OIL	1.0	EA
9	T53319	JOINT BOLT	1.0	EA
10	T53041	WASHER	2.0	EA



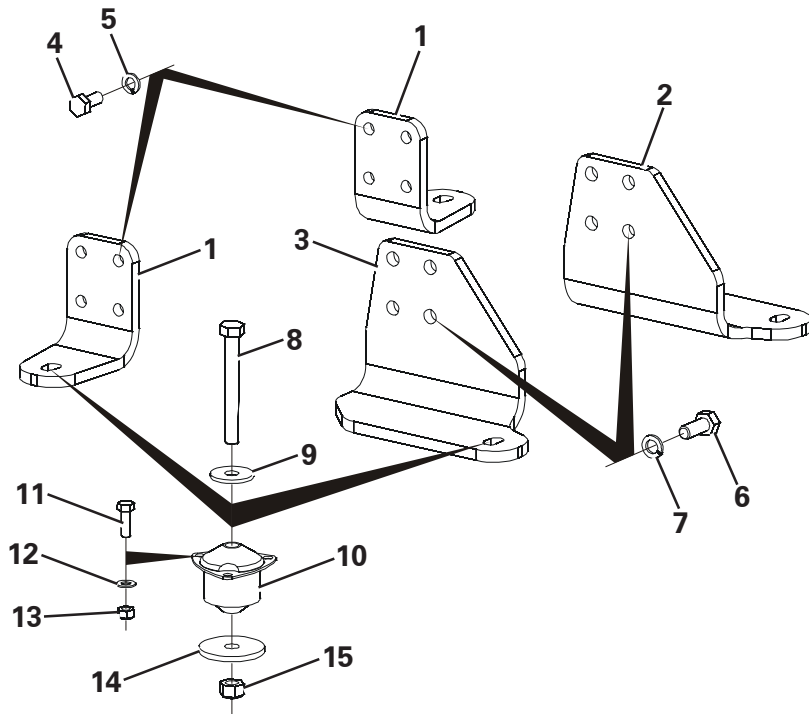
ENGINE - ACCESSORIES

Item	Part No.	Description	Qty	U/M
A	T101871	ENGINE	1.0	EA
1	T52816	CAP	2.0	EA
2	T52819	O RING	3.0	EA
3	T53142	PIPE ASSY	1.0	EA
4	T53048	BELT	1.0	EA
5	T53461	VALVE ASSEMBLY	3.0	EA
6	T53462	STARTER MOTOR	1.0	EA
7	T53263	GENERATOR	1.0	EA
8	T53147	FAN	1.0	EA
9	T53321	BOLT	4.0	EA
10	T52830	GUIDE	1.0	EA
11	T52829	O RING	1.0	EA
12	T53316	GUIDE DIPSTICK	1.0	EA
13	T52842	BOLT	1.0	EA
14	T53463	DIPSTICK	1.0	EA
15	T52832	OIL PRESSURE SWITCH	1.0	EA
16	T52834	O RING	1.0	EA
17	T52835	BOLT	2.0	EA
18	T52833	STOP SOLENOID	1.0	EA
19	T52824	GASKET	1.0	EA
20	T52823	HEATER	1.0	EA
21	T52825	BOLT	4.0	EA
22	T101247	ENGINE LIFTING EYE	1.0	EA

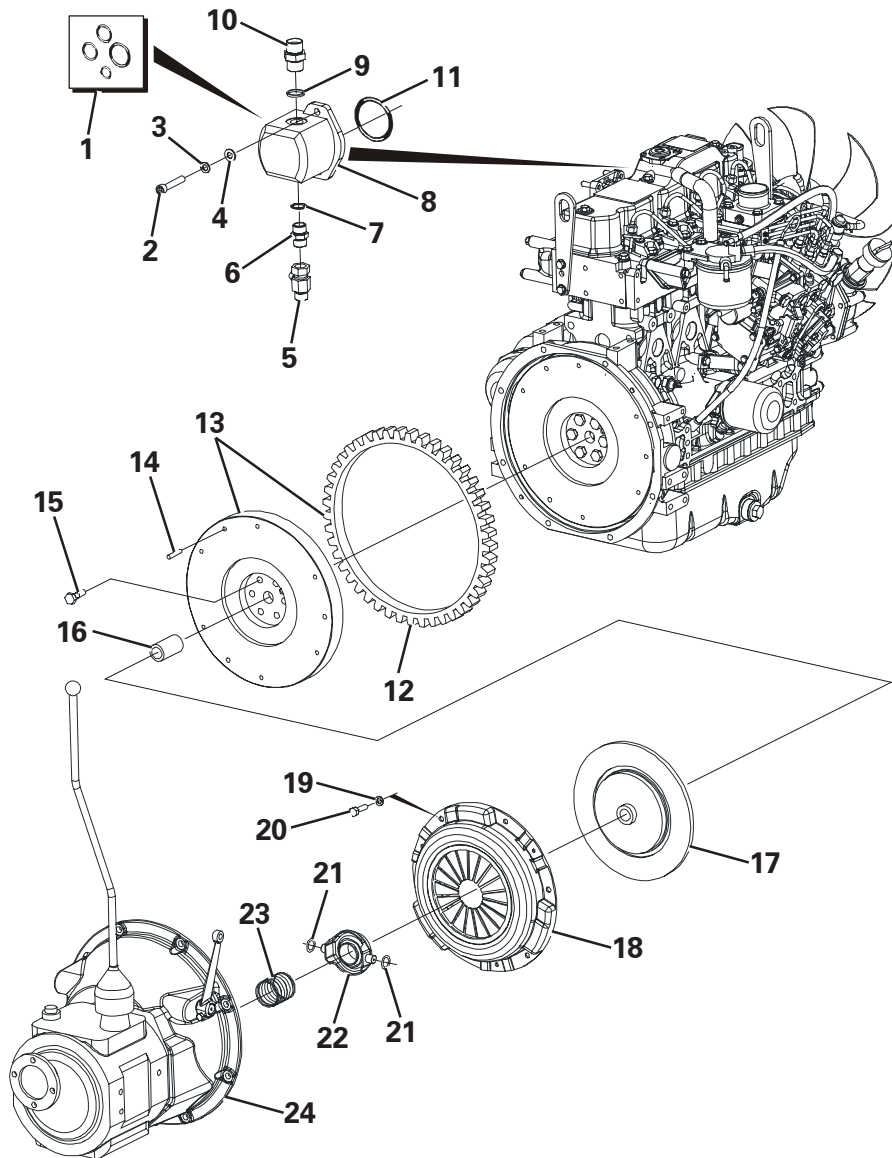


ENGINE MOUNTINGS

Item	Part No.	Description	Qty	U/M
1	T101026	FRONT ENGINE MOUNT	2.0	EA
2	T102860	REAR ENGINE MOUNT RH	1.0	EA
3	T102859	REAR ENGINE MOUNT LH	1.0	EA
4	T7466	SET SCREW	8.0	EA
5	T13362	SPRING WASHER	8.0	EA
6	T14077	BOLT	8.0	EA
7	T14080	SPRING WASHER	8.0	EA
8	T14819	BOLT	4.0	EA
9	T6769	HEAVY DUTY WASHER	4.0	EA
10	T14564	ENGINE MOUNT	4.0	EA
11	T12694	SET SCREW	12.0	EA
12	T12973	PLAIN WASHER	12.0	EA
13	T19007	PHILIDAS NUT	12.0	EA
14	T9046	WASHER	4.0	EA
15	T14283	PHILIDAS NUT	4.0	EA



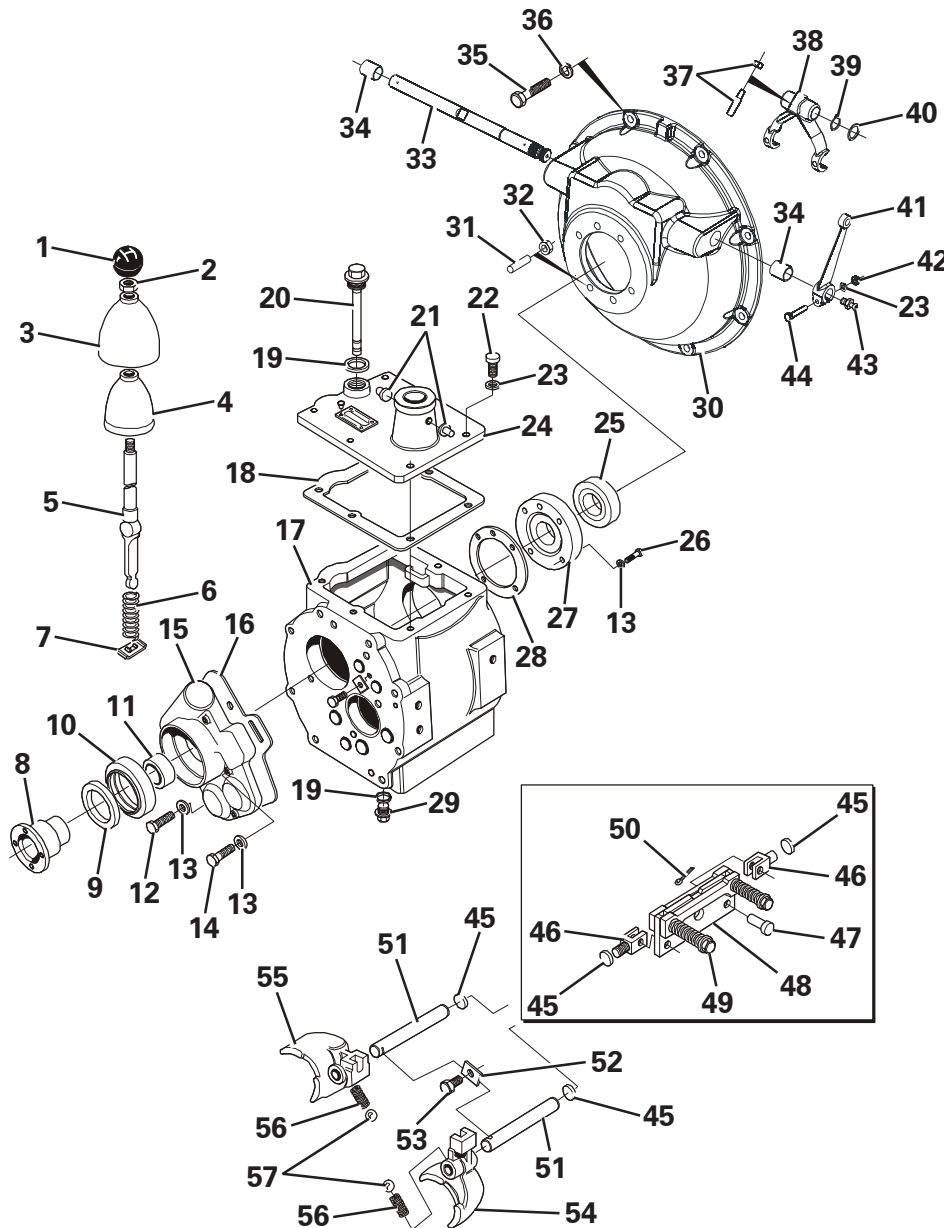
CLUTCH ASSEMBLY & HYD. PUMP



Item	Part No.	Description	Qty	U/M
1	T53881	SEAL KIT	1.0	EA
2	T103002	SOCKET HEAD CAP SCREW	2.0	EA
3	T13362	SPRING WASHER	2.0	EA
4	T15819	WASHER	2.0	EA
5	T18008	PRESSURE TEST POINT ADAPTOR	1.0	EA
6	T11165	ADAPTOR	1.0	EA
7	T5637	DOWTY WASHER	1.0	EA
8	T102926	GEAR PUMP	1.0	EA
9	T5594	DOWTY WASHER	1.0	EA
10	T101609	ADAPTOR	1.0	EA
11	T52891	O RING	1.0	EA
12	T52837	RING GEAR	1.0	EA
13	T53114	FLYWHEEL ASSEMBLY	1.0	EA
14	T102452	DOWEL	3.0	EA
15	T52838	BOLT	6.0	EA
16	T4520	BUSH	1.0	EA
17	T102468	CLUTCH DRIVE PLATE	1.0	EA
18	T102467	CLUTCH COVER ASSY	1.0	EA
19	T12972	SPRING WASHER	6.0	EA
20	T7465	SET SCREW	6.0	EA
21	T102470	SPRING RETAINERS	2.0	EA
22	T101969	RELEASE BEARING	1.0	EA
23	T101978	PRE-TENSIONER SPRING	1.0	EA
24	T102960	GEARBOX	1.0	EA

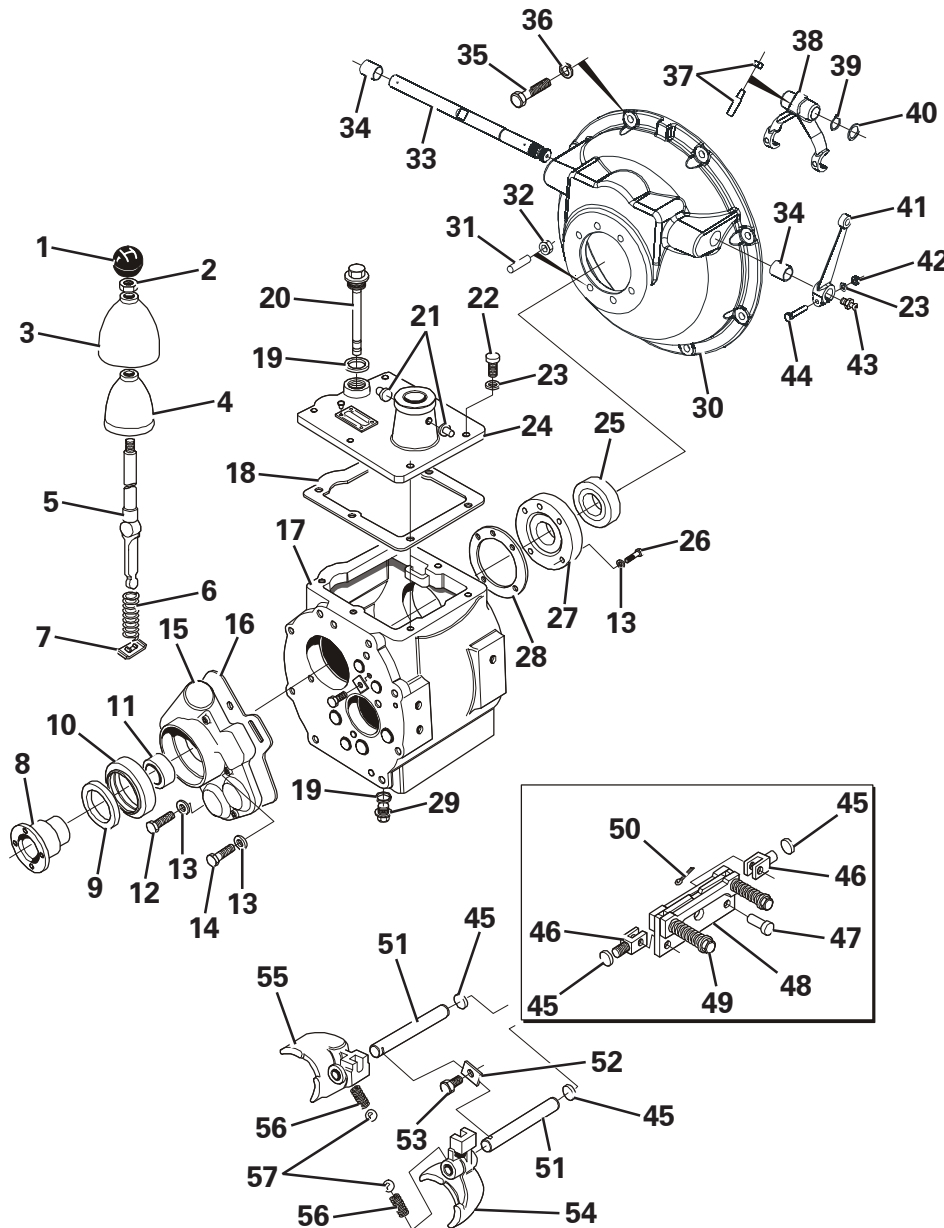
Clutch Assembly and Hyd Pump - Tier 2

G/BOX - HOUSING & SELECTOR FORKS



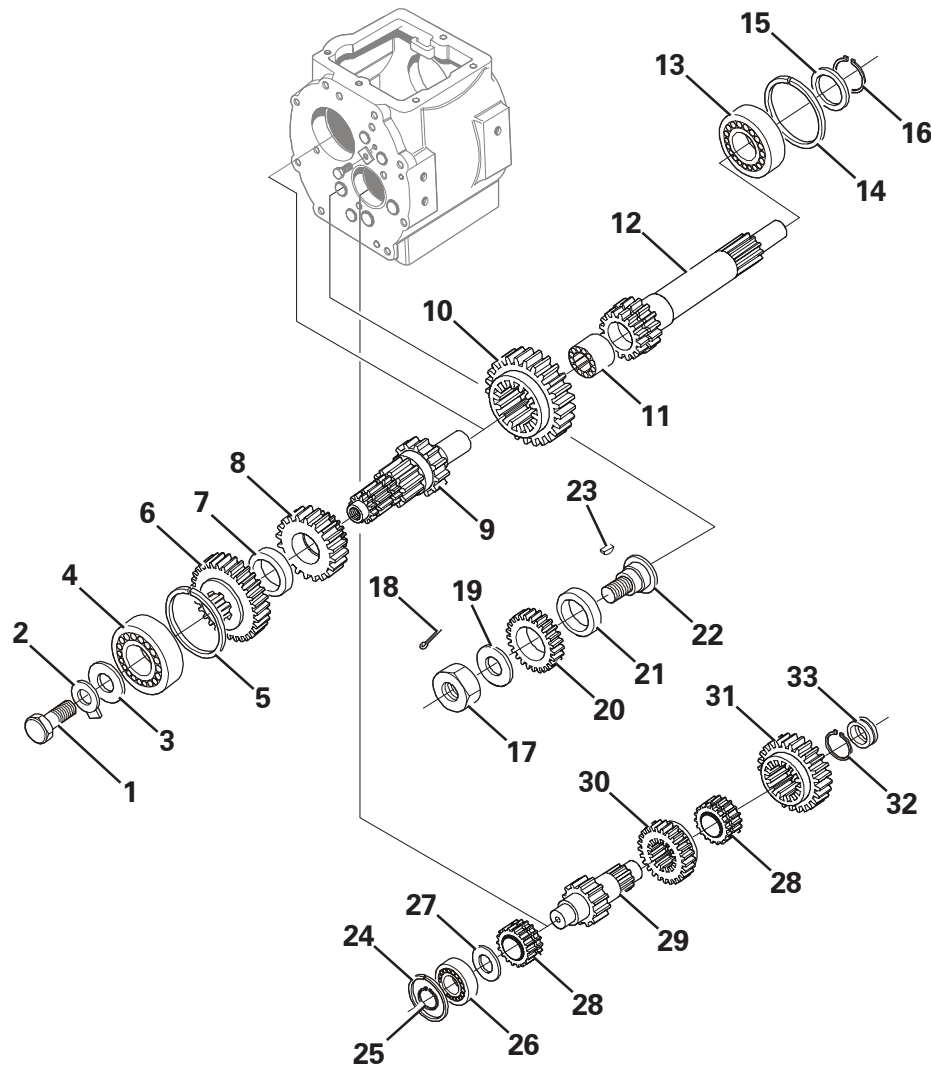
Item	Part No.	Description	Qty	U/M
1	T4547	KNOB	1.0	EA
2	T7727	LOCKNUT	1.0	EA
3	T4485	COVER	1.0	EA
4	T4549	COVER	1.0	EA
5	T53854	GEAR LEVER	1.0	EA
6	T4486	SPRING	1.0	EA
7	T4508	RETAINER PLATES	1.0	EA
8	T4200	COUPLING	1.0	EA
9	T4253	DUST EXCLUDER	1.0	EA
10	T4531	OILSEAL	1.0	EA
11	T4544	SPACER	1.0	EA
12	T6731	BOLT	3.0	EA
13	T3499	NYLITE WASHER	9.0	EA
14	T4327	BOLT	2.0	EA
15	T4564	REAR COVER	1.0	EA
16	T4529	JOINT	1.0	EA
17	T50542	GEAR CASE	1.0	EA
18	T4530	JOINT	1.0	EA
19	T5596	WASHER	2.0	EA
20	T50438	DIPSTICK	1.0	EA
21	T4507	PAD GEAR LEVER	2.0	EA
22	T6774	SCREW	6.0	EA
23	T53137	WASHER	7.0	EA
24	T4519	TOP COVER	1.0	EA
25	T4539	OILSEAL	1.0	EA
26	T6737	BOLT	4.0	EA
27	T53430	FRONT COVER	1.0	EA
28	T4528	JOINT	1.0	EA
29	T4248	PLUG	1.0	EA

G/BOX - HOUSING & SELECTOR FORKS



Item	Part No.	Description	Qty	U/M
30	T53469	CLUTCH HOUSING	1.0	EA
31	T4525	STUD	6.0	EA
32	T7631	PHILIDAS NUT	6.0	EA
33	T53287	CLUTCH SHAFT	1.0	EA
34	T4403	BUSH	2.0	EA
35	T7466	SET SCREW	8.0	EA
36	T13362	SPRING WASHER	8.0	EA
37	T4429	COTTER PIN & NUT	1.0	EA
38	T53292	CLUTCH FORK	1.0	EA
39	T4468	CIRCLIP	1.0	EA
40	T4481	WASHER	1.0	EA
41	T4428	CLUTCH LEVER	1.0	EA
42	T7717	NUT	1.0	EA
43	T6673	GREASE NIPPLE	2.0	EA
44	T7977	BOLT	1.0	EA
45	T4415	SEALING DISC	4.0	EA
46	T4514	STUD SHORT	2.0	EA
47	T4512	CLEVIS PIN	2.0	EA
48	T50375	INTERLOCK PLATE	1.0	EA
49	T50374	SAFETY PLATE ASSY	1.0	EA
50	T6744	SPLIT PIN	2.0	EA
51	T4546	SELECTOR SHAFT	2.0	EA
52	T4545	LOCKING STRIP	1.0	EA
53	T3498	SCREW	1.0	EA
54	T4480	FORK 1ST/REVERSE	1.0	EA
55	T4479	FORK 2ND/3RD	1.0	EA
56	T4420	DETENT SPRING	1.0	EA
57	T4464	BEARING	1.0	EA

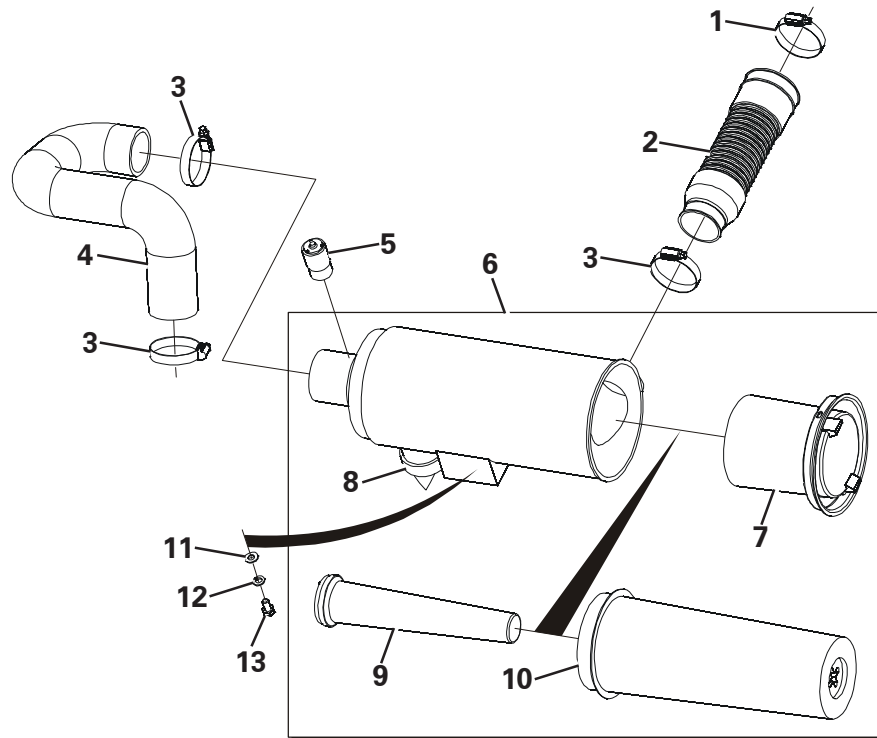
GEARBOX - INTERNAL



Item	Part No.	Description	Qty	U/M
1	T53293	BOLT	1.0	EA
2	T4443	LOCK WASHER	1.0	EA
3	T3646	WASHER	1.0	EA
4	T4441	BEARING	1.0	EA
5	T4438	SNAP RING	1.0	EA
6	T4562	OUTPUT GEAR	1.0	EA
7	T4550	SPACER	1.0	EA
8	T4559	SPEED GEAR	1.0	EA
9	T4476	MAINSHAFT	1.0	EA
10	T4557	1ST SPEED GEAR	1.0	EA
11	T4477	BEARING	1.0	EA
12	T53468	INPUT SHAFT ASSY	1.0	EA
13	T4543	BEARING	1.0	EA
14	T3486	SNAP RING	1.0	EA
15	T4526	BEARING SPACER	1.0	EA
16	T4440	CIRCLIP	2.0	EA
17	T4309	NUT	1.0	EA
18	T6745	SPLIT PIN	1.0	EA
19	T4535	WASHER	1.0	EA
20	T4561	REVERSE PINION	1.0	EA
21	T4533	BUSH	1.0	EA
22	T4553	SHAFT REVERSE PIN	1.0	EA
23	T4518	KEY	1.0	EA
24	T4096	SNAP RING	2.0	EA
25	T3418	CIRCLIP	1.0	EA
26	T4542	BEARING	1.0	EA
27	T4548	BEARING SPACER	1.0	EA
28	T4558	REVERSE SPEED GEAR	2.0	EA
29	T50543	LAYSHAFT	1.0	EA
30	T4556	2ND SLIDING GEAR	1.0	EA
31	T4487	1ST REDUCTION GEAR	1.0	EA
32	T2379	CIRCLIP	1.0	EA
33	T50544	NEEDLE ROLLER BEARING	1.0	EA

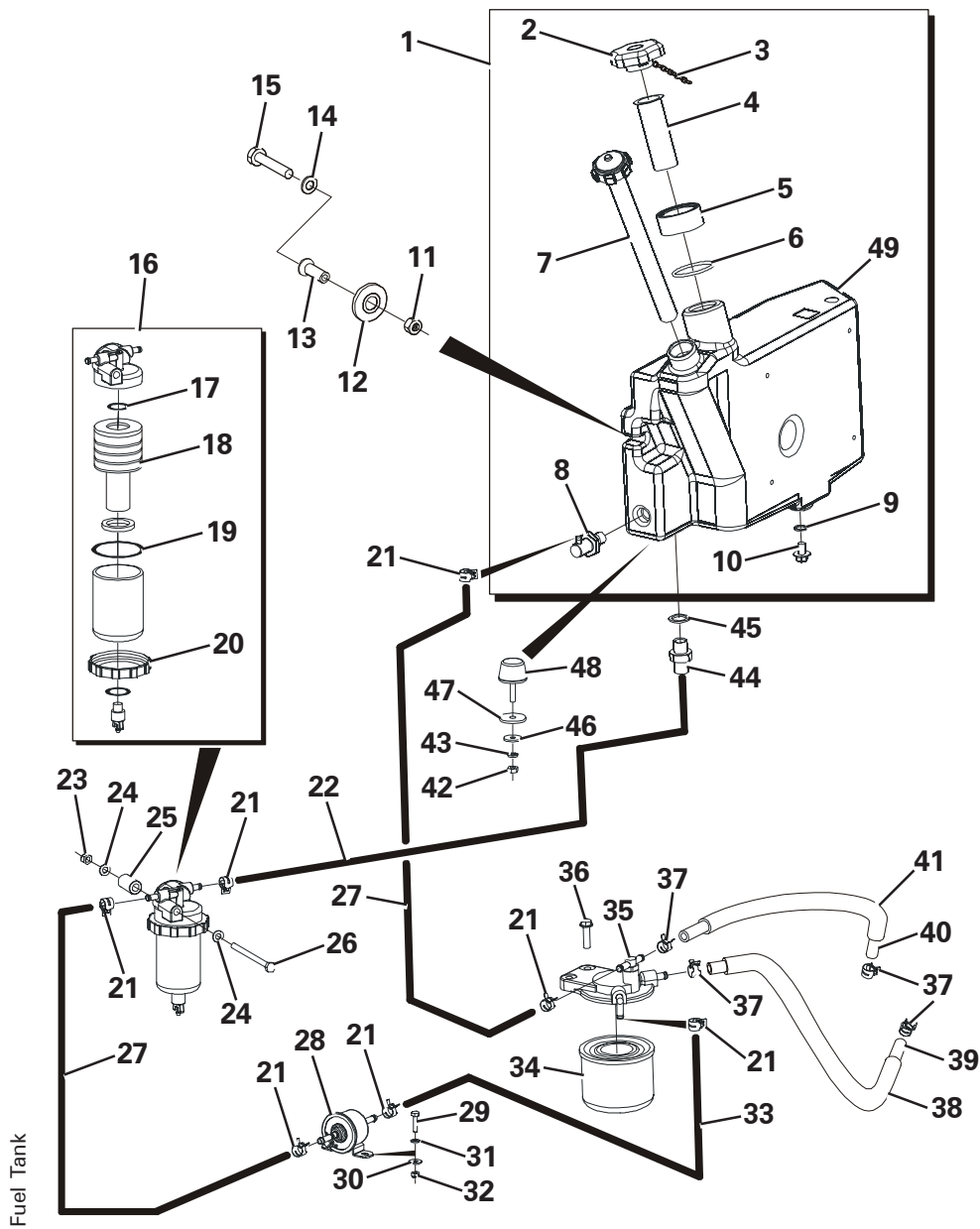
AIR CLEANER ASSEMBLY

Item	Part No.	Description	Qty	U/M
1	T7540	JUBILEE CLIP	1.0	EA
2	T101182	FLEXIBLE AIR CLEANER HOSE	1.0	EA
3	T7872	JUBILEE CLIP	3.0	EA
4	T102889	AIR CLEANER HOSE	1.0	EA
5	T100282	RESTRICTION INDICATOR	1.0	EA
6	T102629	AIR CLEANER	1.0	EA
7	T53877	COVER ASSEMBLY	1.0	EA
8	T53117	VALVE	1.0	EA
9	T53879	INNER FILTER	1.0	EA
10	T53878	OUTER FILTER	1.0	EA
11	T12973	WASHER	2.0	EA
12	T12972	SPRING WASHER	2.0	EA
13	T11673	SET SCREW	2.0	EA



FUEL TANK ASSEMBLY

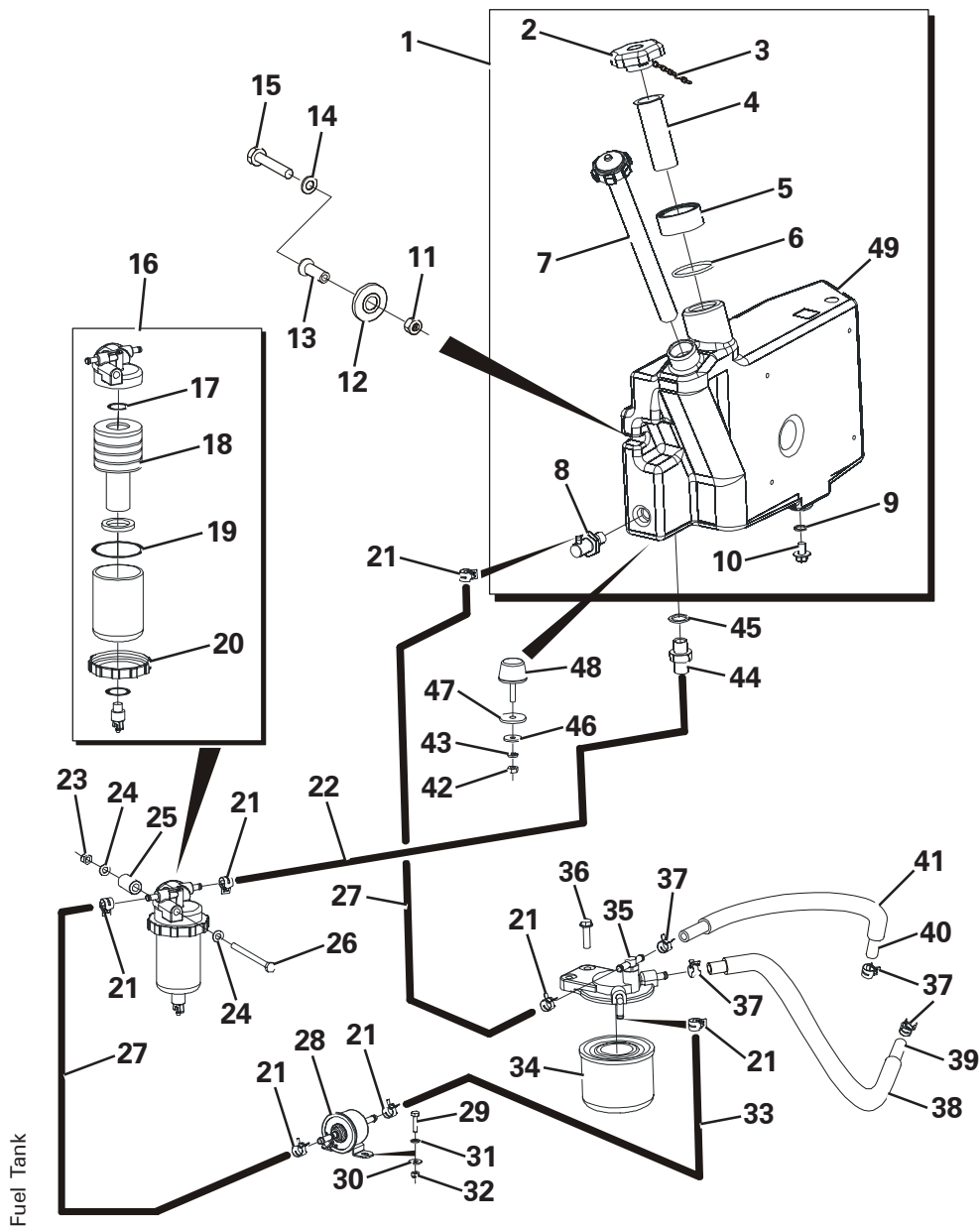
Item	Part No.	Description	Qty	U/M
1	T102007	FUEL TANK ASSY	1.0	EA
2	T52283	FUEL FILLER CAP	1.0	EA
3	T52437	FILLER CAP CHAIN	1.0	EA
4	T53839	STRAINER	1.0	EA
5	T52543	FILLER CAP COLLAR	1.0	EA
6	T52589	O RING	1.0	EA
7	T52498	LEVEL GAUGE	1.0	EA
8	T53211	FUEL RETURN ELBOW	1.0	EA
9	T52588	FIBRE WASHER	1.0	EA
10	T52282	DRAIN PLUG	1.0	EA
11	T13064	NUT	2.0	EA
12	T100323	RUBBER BACKED WASHER	2.0	EA
13	T100372	TANK SPACER	2.0	EA
14	T10734	H/DUTY WASHER	2.0	EA
15	T17963	BOLT	2.0	EA
16	T53328	SEPERATOR ASSEMBLY	1.0	EA
17	T52901	O RING	1.0	EA
18	T53329	ELEMENT	1.0	EA
19	T52899	O RING	1.0	EA
20	T52897	RING	1.0	EA
21	T100421	SPRING BAND CLAMP	7.0	EA
22	T102008	FUEL HOSE	1.0	EA
23	T13457	NYLOC NUT	1.0	EA
24	T12973	WASHER	2.0	EA
25	T100935	SPACER TUBE	1.0	EA



Fuel Tank

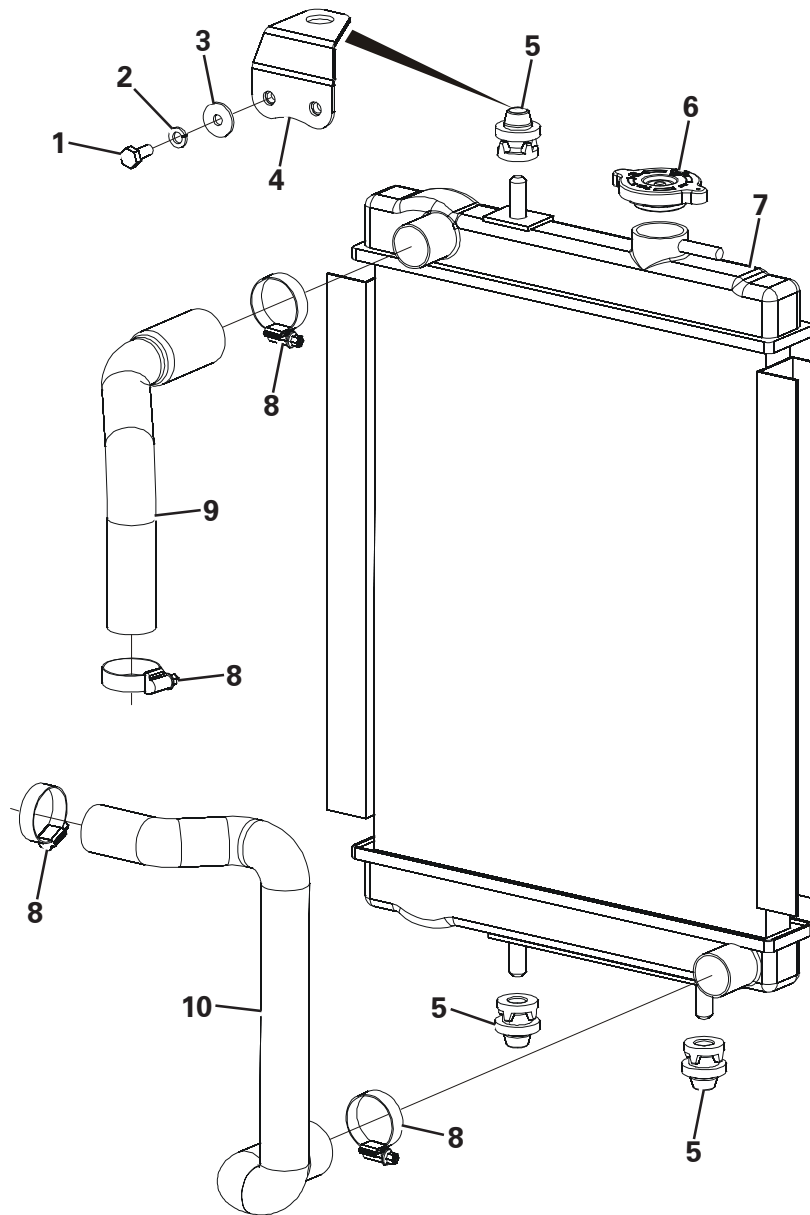
FUEL TANK ASSEMBLY

Item	Part No.	Description	Qty	U/M
26	T15658	BOLT	1.0	EA
27	T101819	FUEL HOSE	2.0	EA
28	T53230	PUMP ASSEMBLY	1.0	EA
29	T16476	SET SCREW	2.0	EA
30	T15830	WASHER HEAVY DUTY	2.0	EA
31	T13911	WASHER	2.0	EA
32	T16481	NYLOC NUT	2.0	EA
33	T102009	FUEL HOSE	1.0	EA
34	T53277	FUEL FILTER	1.0	EA
35	T53323	BRACKET FILTER	1.0	EA
36	T53324	BOLT	2.0	EA
37	T52882	CLAMP	4.0	EA
38	T53464	PROTECTOR FUEL PIPE	1.0	EA
39	T53465	FUEL PIPE	1.0	EA
40	T53466	FUEL PIPE	1.0	EA
41	T53467	TUBE	1.0	EA
42	T9775	NUT	2.0	EA
43	T12972	SPRING WASHER	2.0	EA
44	T12118	ADAPTOR	1.0	EA
45	T10940	DOWTY WASHER	1.0	EA
46	T9345	HEAVY DUTY WASHER	2.0	EA
47	T101168	TANK MOUNTING SPACER	2.0	EA
48	T100214	RUBBER BUFFER	2.0	EA
49	T101079	FUEL TANK	1.0	EA



Fuel Tank

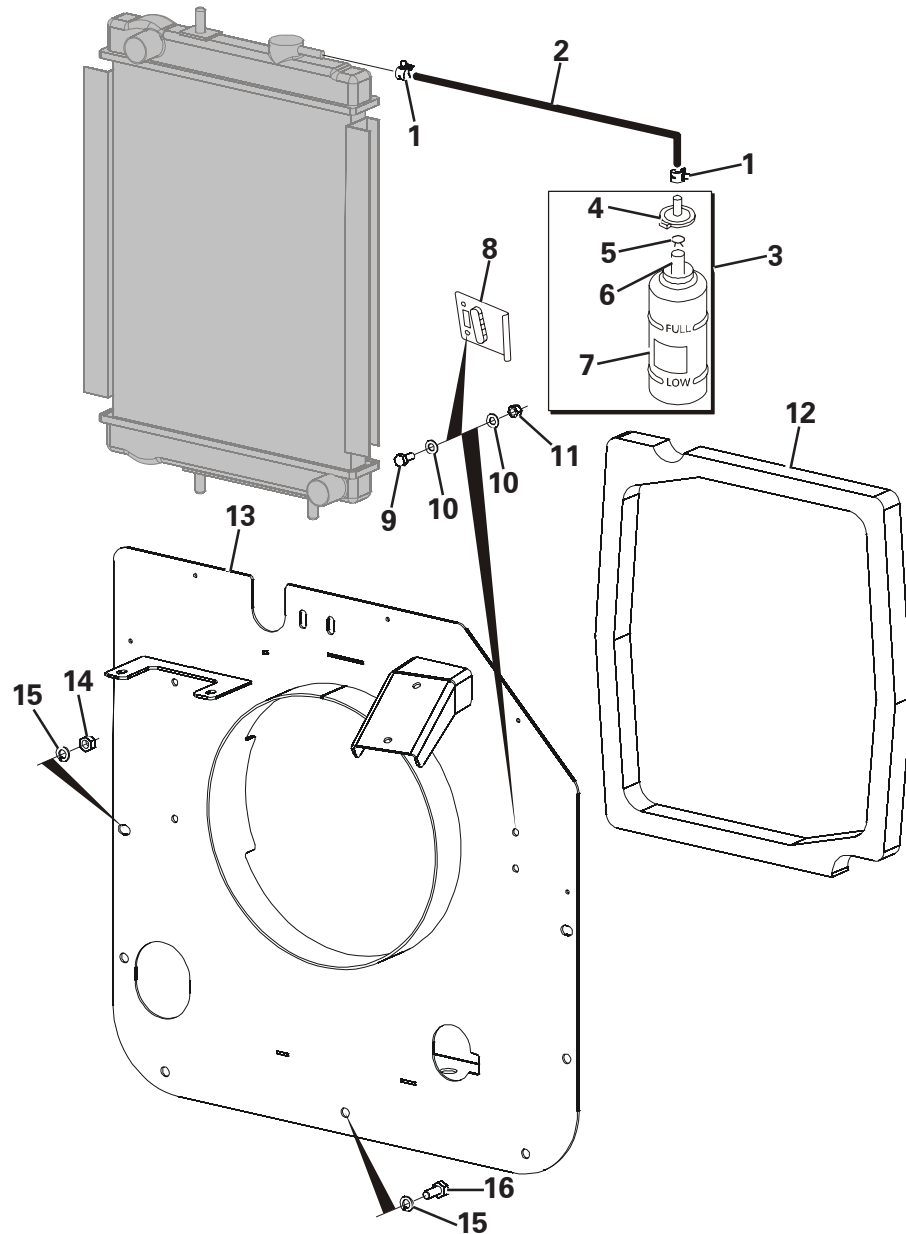
RADIATOR



Item	Part No.	Description	Qty	U/M
1	T7465	SET SCREW	2.0	EA
2	T12972	SPRING WASHER	2.0	EA
3	T9345	HEAVY DUTY WASHER	2.0	EA
4	T102551	RADIATOR SUPPORT BRKT	1.0	EA
5	T101188	RADIATOR MTG RUBBER	3.0	EA
6	T53136	RADIATOR CAP	1.0	EA
7	T102402	RADIATOR	1.0	EA
8	T6693	JUBILEE CLIP	4.0	EA
9*	T103104	TOP RAD HOSE	1.0	EA
10	T101142	BTM RAD HOSE	1.0	EA

Radiator

RADIATOR COWL AND FIXINGS

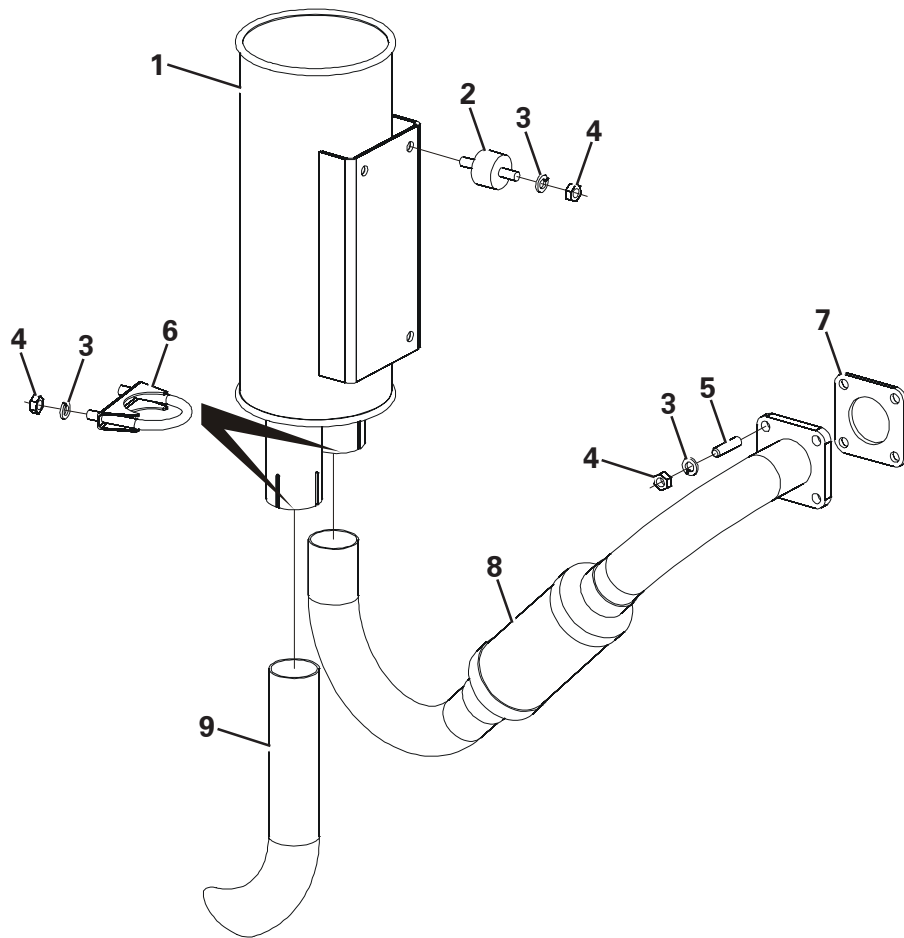


Item	Part No.	Description	Qty	U/M
1	T100421	SPRING BAND CLAMP	2.0	EA
2	T101219	RADIATOR OVERFLOW PIPE	1.0	EA
3	T52800	TANK ASSEMBLY	1.0	EA
4	T52802	CAP	1.0	EA
5	T52803	CLAMP	1.0	EA
6	T52804	PIPE	1.0	EA
7	T52801	TANK	1.0	EA
8	T52805	BRACKET SUB-TANK	1.0	EA
9	T7465	SET SCREW	2.0	EA
10	T12973	WASHER	4.0	EA
11	T13457	NYLOC NUT	2.0	EA
12	T102553	RADIATOR SEAL	1.0	EA
13	T102862	RADIATOR COWL	1.0	EA
14	T12509	NUT	2.0	EA
15	T13362	SPRING WASHER	7.0	EA
16	T7466	SET SCREW	5.0	EA

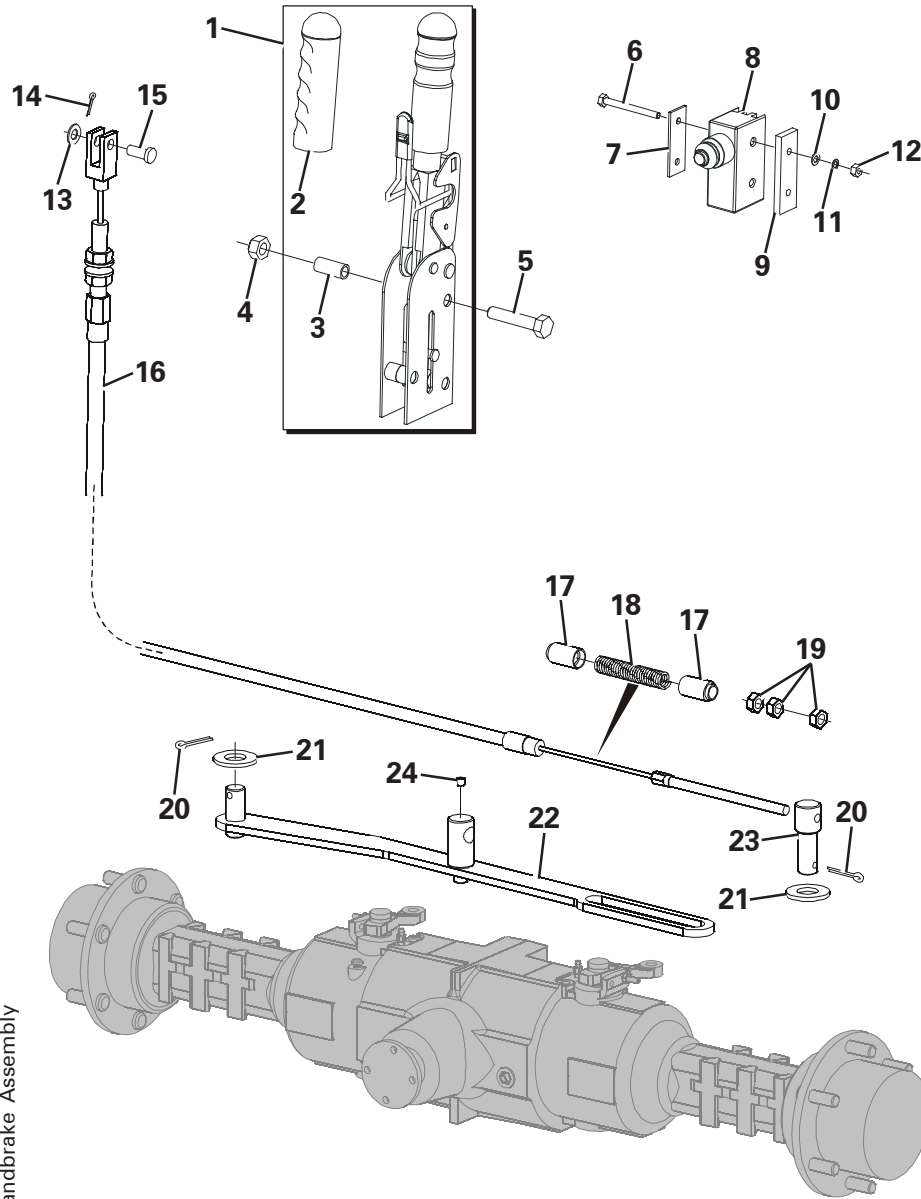
Radiator Cowl

EXHAUST

Item	Part No.	Description	Qty	U/M
1	T102822	SILENCER	1.0	EA
2	T100796	RUBBER BUFFER	3.0	EA
3	T12972	SPRING WASHER	11.0	EA
4	T9775	NUT	11.0	EA
5	T52797	STUD	4.0	EA
6	T18834	EXHAUST CLAMP	2.0	EA
7	T53112	GASKET	1.0	EA
8	T102858	EXHAUST PIPE	1.0	EA
9	T102722	EXHAUST TAIL PIPE	1.0	EA



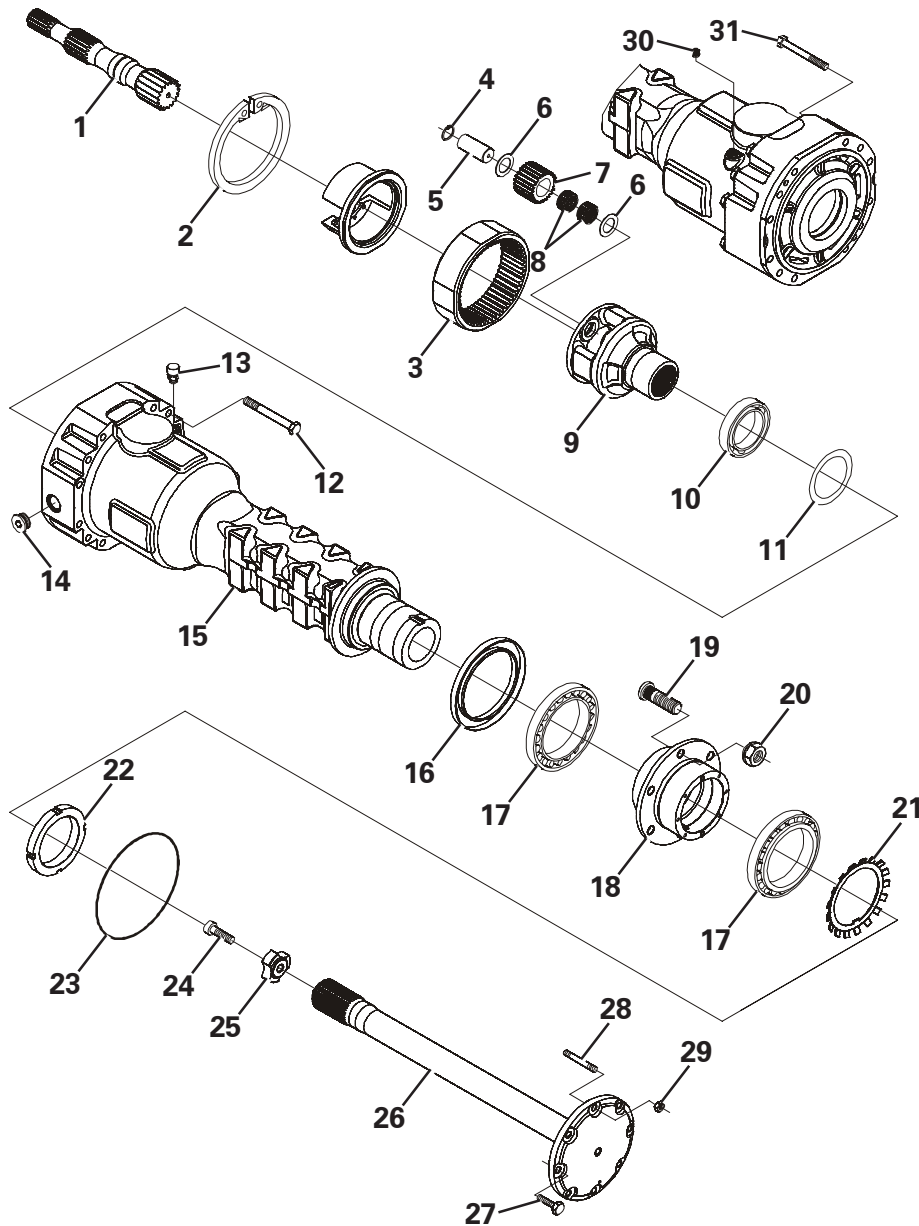
HANDBRAKE ASSEMBLY



Item	Part No.	Description	Qty	U/M
1	T100893	OVERCENTRE HANDBRAKE	1.0	EA
2	T52947	GRIP	1.0	EA
3	T10869	SPACER	3.0	EA
4	T13064	PHILIDAS NUT	3.0	EA
5	T16501	BOLT	3.0	EA
6	T13321	SET SCREW	2.0	EA
7	T13289	MICRO SWITCH BACKING PLATE	1.0	EA
8	T100912	MICRO SWITCH	1.0	EA
9	T101186	MICRO SWITCH SPACER	1.0	EA
10	T11440	WASHER	2.0	EA
11	T11439	SPRING WASHER	2.0	EA
12	T11447	NUT	2.0	EA
13	T12973	WASHER	1.0	EA
14	T6702	SPLIT PIN	1.0	EA
15	T14101	CLEVIS PIN	1.0	EA
16	T102730	HANDBRAKE CABLE	1.0	EA
17	T100909	SPRING SUPPORT	2.0	EA
18	T9722	GALVANISED HANDBRAKE SPRING	1.0	EA
19	T6719	NUT	3.0	EA
20	T6751	SPLIT PIN	2.0	EA
21	T100867	WASHER	2.0	EA
22	T102854	HANDBRAKE CABLE LEVER	1.0	EA
23	T102853	HANDBRAKE CABLE GUIDE	1.0	EA
24*	T103221	GRUB SCREW	1.0	EA

Handbrake Assembly

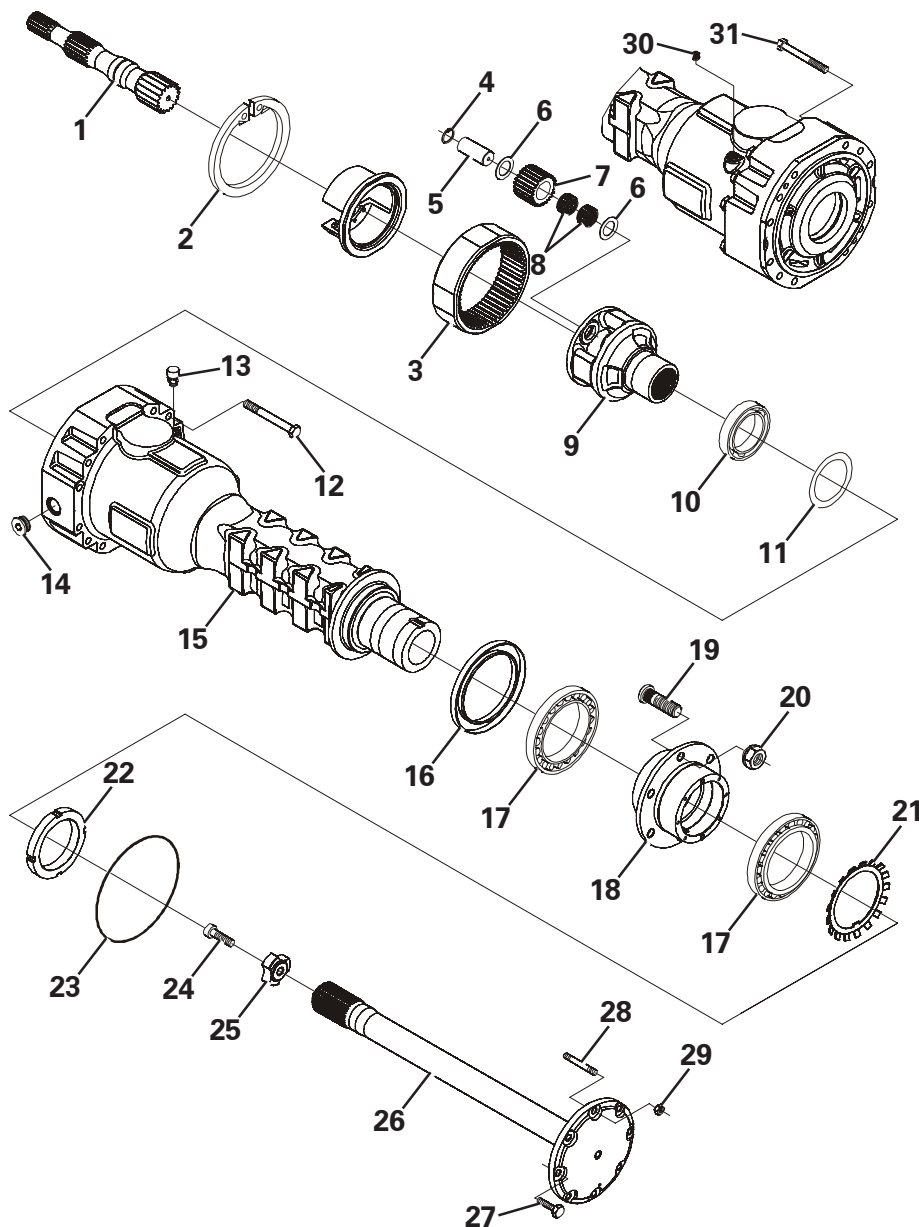
FRONT AXLE - HUB REDUCTION



Item	Part No.	Description	Qty	U/M
A	T102627	FRONT AXLE	1.0	EA
1	T53915	HALF SHAFT	2.0	EA
2	T53916	CIRCLIP	2.0	EA
3	T53917	RING GEAR	2.0	EA
4	T53544	CIRCLIP	6.0	EA
5	T53643	PIN	6.0	EA
6	T53644	FRICTION WASHER	12.0	EA
7	T53642	DIFFERENTIAL PINION	6.0	EA
8	T53562	NEEDLE ROLLER BEARING	12.0	EA
9	T53918	PLANET GEAR CARRIER	2.0	EA
10	T53919	BALL BEARING	2.0	EA
11	T53922	SHIM	A/R	EA
	T53576	SHIM	A/R	EA
	T53577	SHIM	A/R	EA
	T53582	SHIM	A/R	EA
	T53583	SHIM	A/R	EA
12	T53921	HEXAGON BOLT	12.0	EA
13	T53765	VENT	1.0	EA

Front Axle - Hub Reduction

FRONT AXLE - HUB REDUCTION

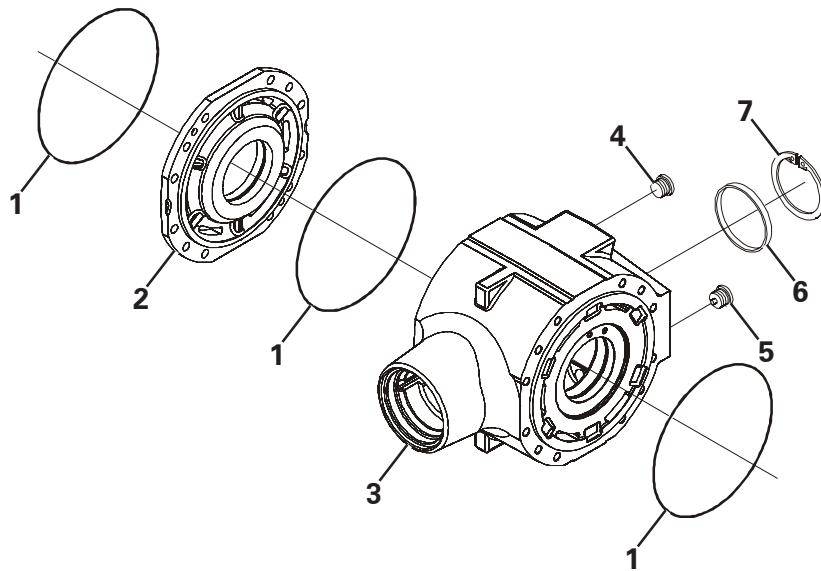


Item	Part No.	Description	Qty	U/M
14	T53663	PLUG	2.0	EA
15	T53920	AXLE CASE	2.0	EA
16	T53869	HUB SEAL	2.0	EA
17	T53913	TAPER ROLLER BEARING	4.0	EA
18	T53914	WHEEL HUB	2.0	EA
19	T53773	WHEEL STUD	12.0	EA
20	T53567	WHEEL NUT	12.0	EA
21	T53872	TAB WASHER	2.0	EA
22	T53912	RING NUT	2.0	EA
23	T53870	O RING	2.0	EA
24	T53871	BOLT	2.0	EA
25	T53911	SPACER	2.0	EA
26	T53910	HALF SHAFT	2.0	EA
27	T53907	HEXAGON BOLT	12.0	EA
28	T53909	STUD	4.0	EA
29	T53908	NUT	4.0	EA
30	T53615	PLUG	1.0	EA
31	T53924	HEXAGON BOLT	12.0	EA

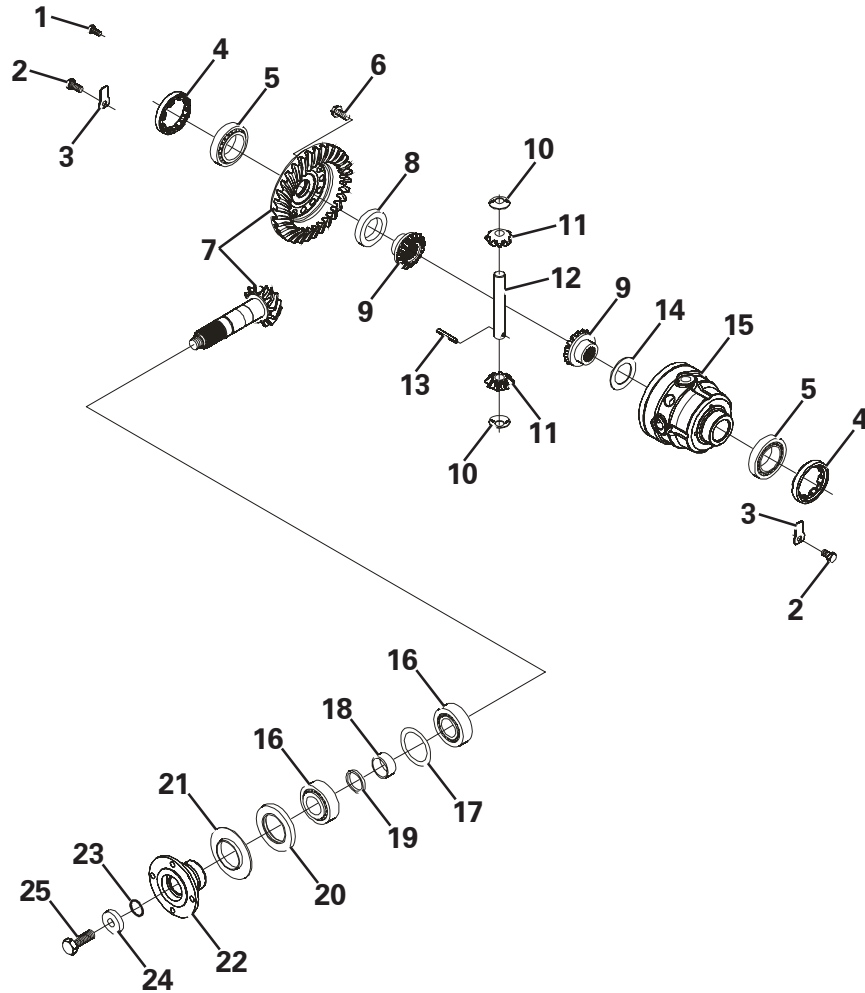
Front Axle - Hub Reduction

FRONT AXLE - CENTRAL HOUSING

Item	Part No.	Description	Qty	U/M
1	T53873	O RING	3.0	EA
2	T53891	INTERMEDIATE COVER	1.0	EA
3	T53892	HOUSING	1.0	EA
4	T53663	PLUG	1.0	EA
5	T53664	MAGNET PLUG	1.0	EA
6	T53709	PLUG	1.0	EA
7	T53855	CIRCLIP	1.0	EA



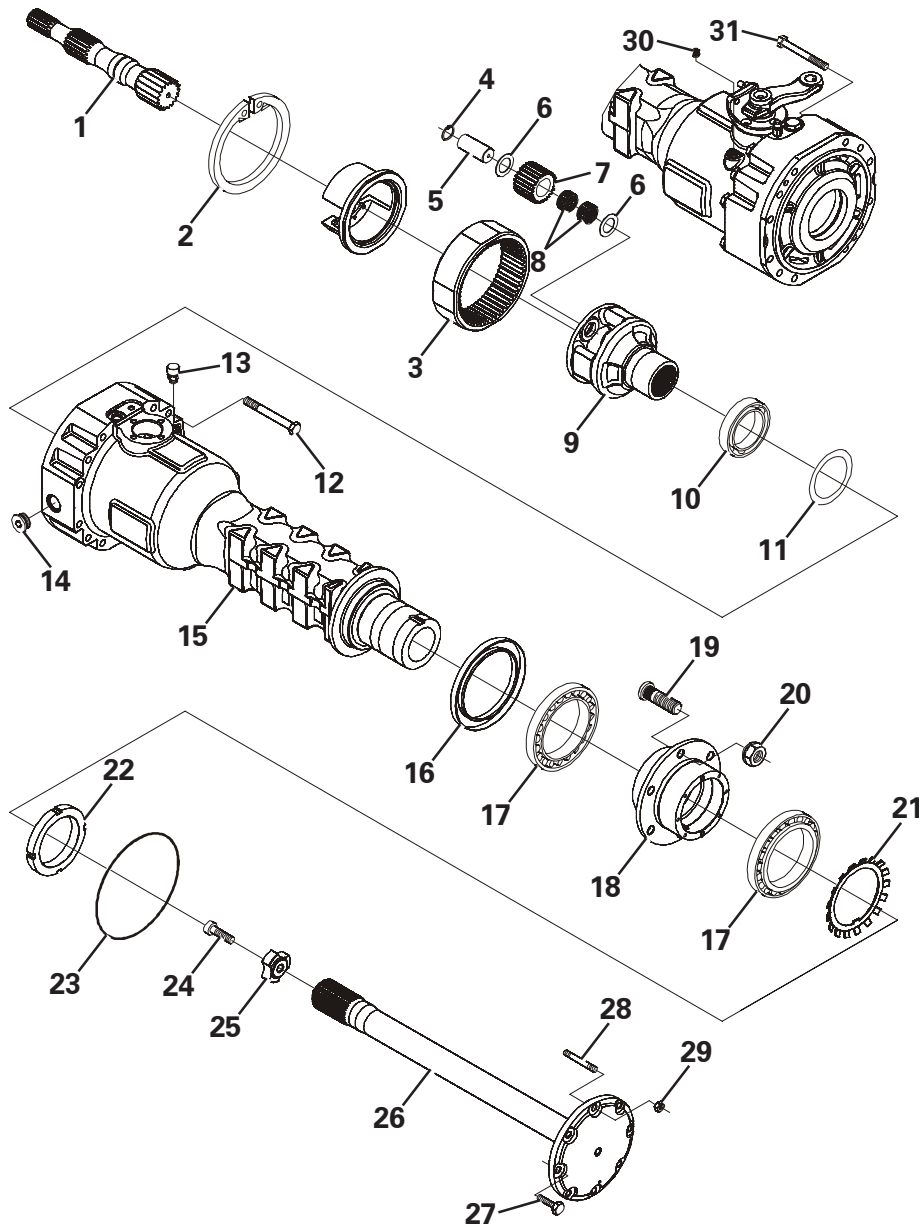
FRONT AXLE - DIFFERENTIAL



Item	Part No.	Description	Qty	U/M
1	T53897	CYLINDER BOLT	2.0	EA
2	T53896	HEXAGON BOLT	2.0	EA
3	T53895	LOCKING PLATE	2.0	EA
4	T53898	RING NUT	2.0	EA
5	T53555	TAPER ROLLER BEARING	2.0	EA
6	T53616	BOLT	12.0	EA
7	T53894	BEVEL GEAR SET	1.0	EA
8	T53899	SPACER	1.0	EA
9	T53900	DIFFERENTIAL SIDE GEAR	2.0	EA
10	T53901	WASHER	2.0	EA
11	T53902	DIFFERENTIAL PINION	2.0	EA
12	T53903	DIFFERENTIAL SHAFT	1.0	EA
13	T53904	ROLL PIN	1.0	EA
14	T53905	FRICTION WASHER	1.0	EA
15	T53906	DIFFERENTIAL CARRIER	1.0	EA
16	T53558	BEARING	2.0	EA
17	T53579	SHIM	A/R	EA
	T53580	SHIM	A/R	EA
	T53581	SHIM	A/R	EA
18	T53630	SPACER	1.0	EA
19	T53748	RING	1.0	EA
	T53752	RING	1.0	EA
20	T53522	SEAL	1.0	EA
21	T53774	COVER PLATE	1.0	EA
22	T53764	FLANGE	1.0	EA
23	T53523	O RING	1.0	EA
24	T53893	WASHER	1.0	EA
25	T53598	BOLT	1.0	EA

Front Axle - Differential

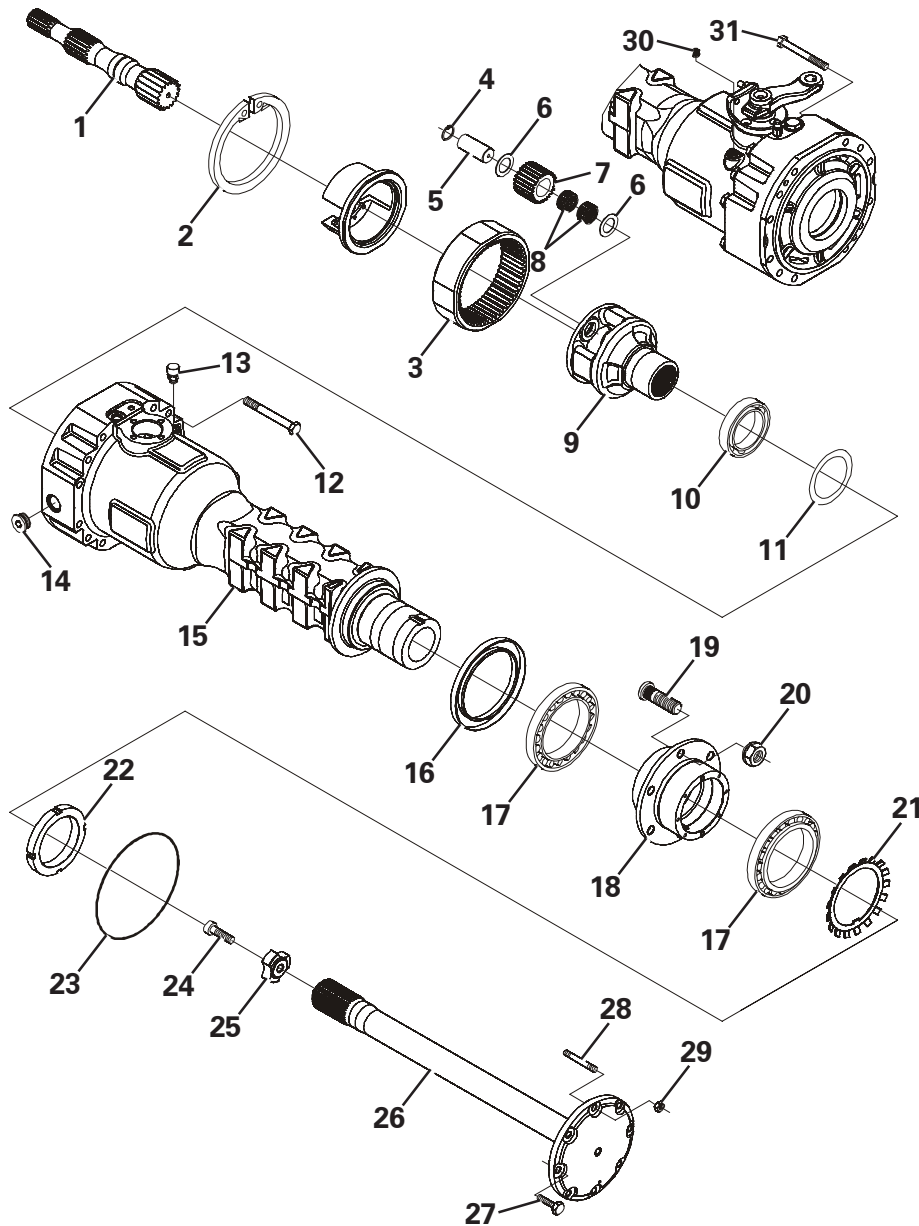
REAR AXLE - HUB REDUCTION



Item	Part No.	Description	Qty	U/M
A	T102626	REAR AXLE	1.0	EA
1	T53915	HALF SHAFT	2.0	EA
2	T53916	CIRCLIP	2.0	EA
3	T53917	RING GEAR	2.0	EA
4	T53544	CIRCLIP	6.0	EA
5	T53643	PIN	6.0	EA
6	T53644	FRICTION WASHER	12.0	EA
7	T53642	DIFFERENTIAL PINION	6.0	EA
8	T53562	NEEDLE ROLLER BEARING	12.0	EA
9	T53918	PLANET GEAR CARRIER	2.0	EA
10	T53919	BALL BEARING	2.0	EA
11	T53922	SHIM	A/R	EA
	T53576	SHIM	A/R	EA
	T53577	SHIM	A/R	EA
	T53582	SHIM	A/R	EA
	T53583	SHIM	A/R	EA
12	T53921	HEXAGON BOLT	12.0	EA
13	T53765	VENT	1.0	EA

Rear Axle - Hub Reduction

REAR AXLE - HUB REDUCTION

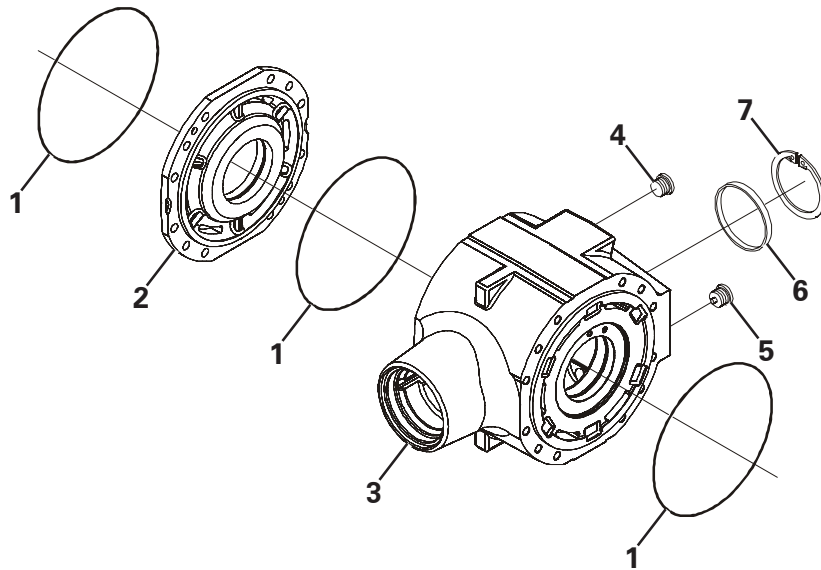


Item	Part No.	Description	Qty	U/M
14	T53663	PLUG	2.0	EA
15	T53923	AXLE CASE	2.0	EA
16	T53869	HUB SEAL	2.0	EA
17	T53913	TAPER ROLLER BEARING	4.0	EA
18	T53914	WHEEL HUB	2.0	EA
19	T53773	WHEEL STUD	12.0	EA
20	T53567	WHEEL NUT	12.0	EA
21	T53872	TAB WASHER	2.0	EA
22	T53912	RING NUT	2.0	EA
23	T53870	O RING	2.0	EA
24	T53871	BOLT	2.0	EA
25	T53911	SPACER	2.0	EA
26	T53910	HALF SHAFT	2.0	EA
27	T53907	HEXAGON BOLT	12.0	EA
28	T53909	STUD	4.0	EA
29	T53908	NUT	4.0	EA
30	T53615	PLUG	1.0	EA
31	T53924	HEXAGON BOLT	12.0	EA

Rear Axle - Hub Reduction

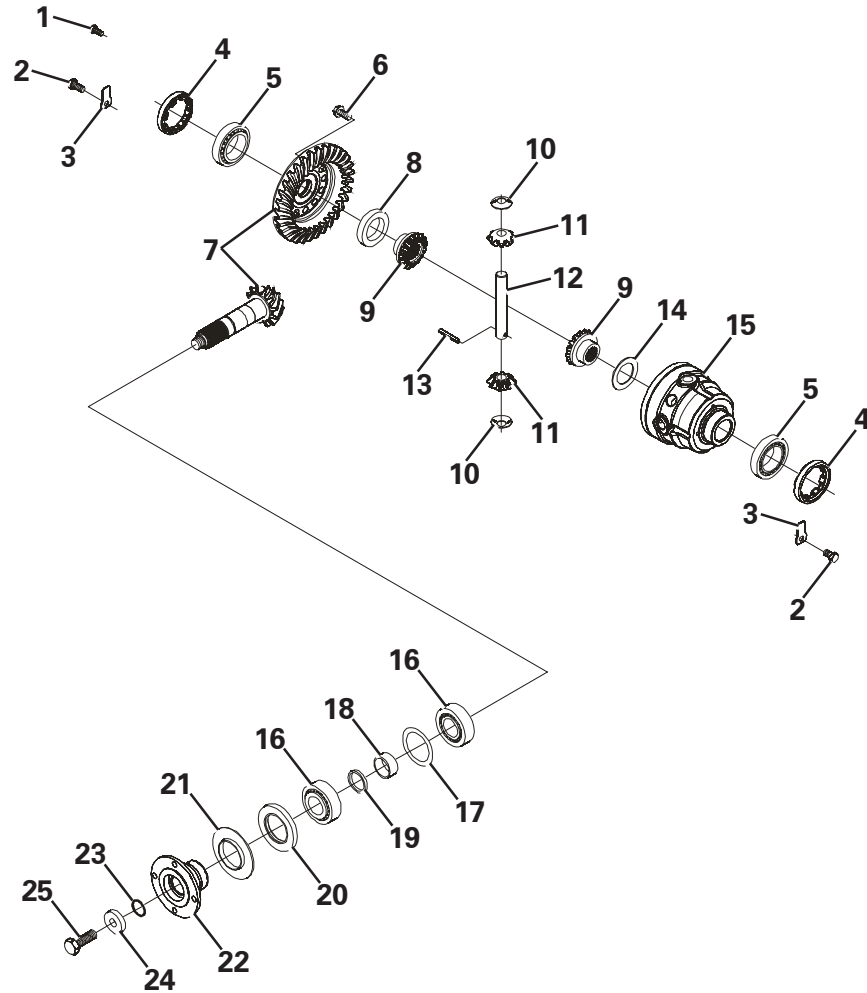
REAR AXLE - CENTRAL HOUSING

Item	Part No.	Description	Qty	U/M
1	T53873	O RING	3.0	EA
2	T53891	INTERMEDIATE COVER	1.0	EA
3	T53892	HOUSING	1.0	EA
4	T53663	PLUG	1.0	EA
5	T53664	MAGNET PLUG	1.0	EA
6	T53709	PLUG	1.0	EA
7	T53855	CIRCLIP	1.0	EA



Front Axle - Central Housing

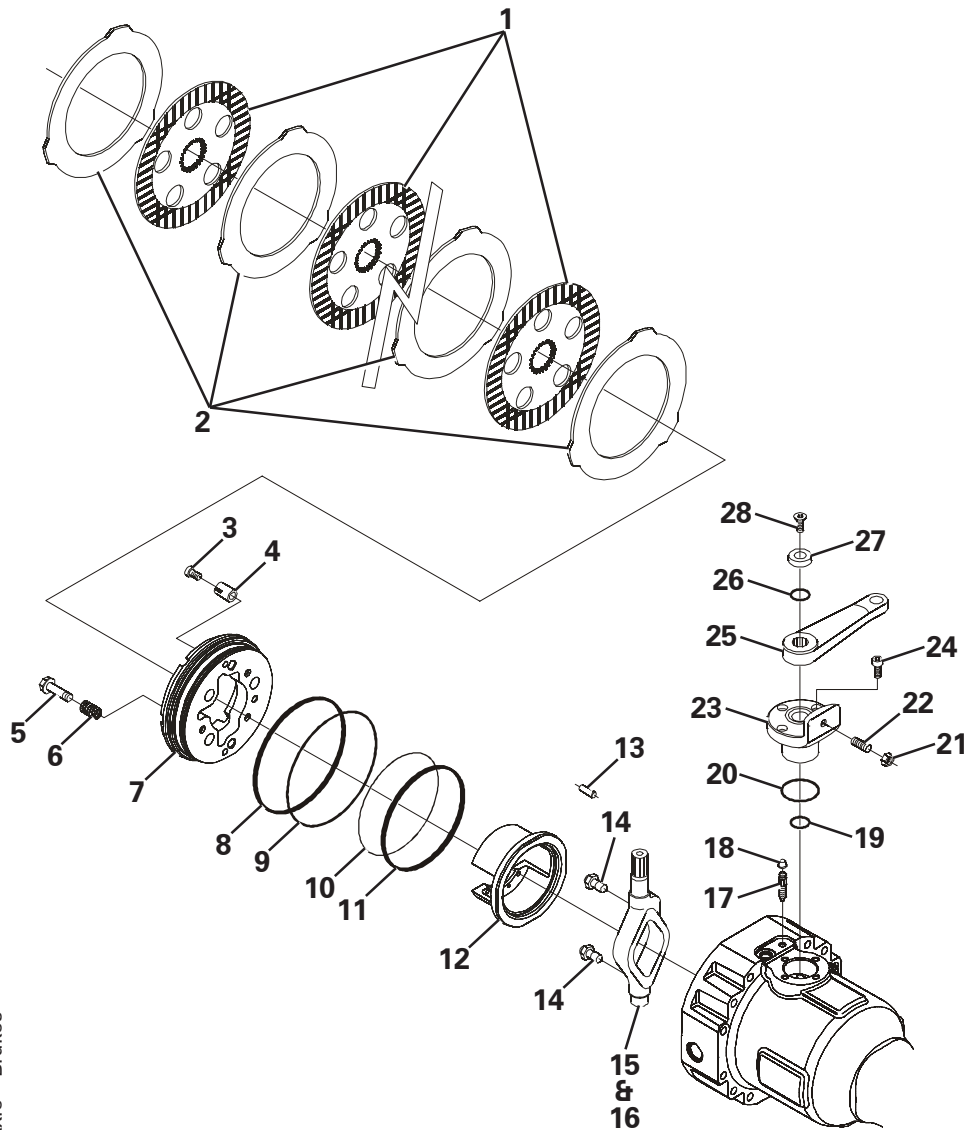
REAR AXLE - DIFFERENTIAL



Item	Part No.	Description	Qty	U/M
1	T53897	CYLINDER BOLT	2.0	EA
2	T53896	HEXAGON BOLT	2.0	EA
3	T53895	LOCKING PLATE	2.0	EA
4	T53898	RING NUT	2.0	EA
5	T53555	TAPER ROLLER BEARING	2.0	EA
6	T53616	BOLT	12.0	EA
7	T53925	BEVEL GEAR SET	1.0	EA
8	T53899	SPACER	1.0	EA
9	T53900	DIFFERENTIAL SIDE GEAR	2.0	EA
10	T53901	WASHER	2.0	EA
11	T53902	DIFFERENTIAL PINION	2.0	EA
12	T53903	DIFFERENTIAL SHAFT	1.0	EA
13	T53904	ROLL PIN	1.0	EA
14	T53905	FRICTION WASHER	1.0	EA
15	T53906	DIFFERENTIAL CARRIER	1.0	EA
16	T53558	BEARING	2.0	EA
17	T53579	SHIM	A/R	EA
	T53580	SHIM	A/R	EA
	T53581	SHIM	A/R	EA
18	T53630	SPACER	1.0	EA
19	T53748	RING	1.0	EA
	T53752	RING	1.0	EA
20	T53522	SEAL	1.0	EA
21	T53774	COVER PLATE	1.0	EA
22	T53764	FLANGE	1.0	EA
23	T53523	O RING	1.0	EA
24	T53893	WASHER	1.0	EA
25	T53598	BOLT	1.0	EA

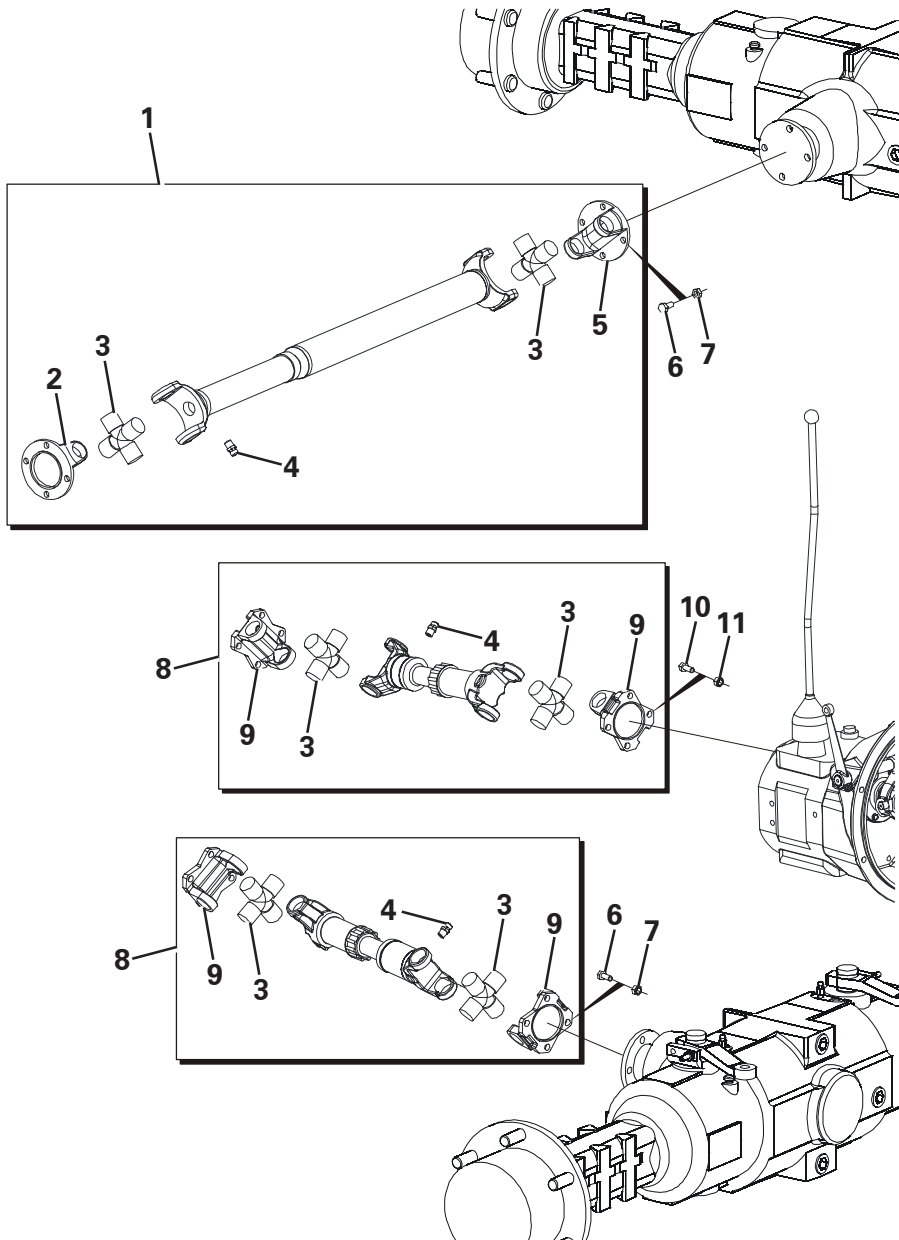
REAR AXLE - BRAKES

Item	Part No.	Description	Qty	U/M
1	T53875	BRAKE DISC	6.0	EA
2	T53874	BRAKE DISC	8.0	EA
3	T53933	ADJUSTING BOLT	6.0	EA
4	T53692	SPRING	6.0	EA
5	T53931	ADJUSTING BOLT	6.0	EA
6	T53932	SPRING	6.0	EA
7	T53934	PISTON	4.0	EA
8	T53698	BACKUP RING	2.0	EA
9	T53696	O RING	2.0	EA
10	T53695	O RING	2.0	EA
11	T53697	BACKUP RING	2.0	EA
12	T53929	SELECTOR	2.0	EA
13	T53935	ROLL PIN	2.0	EA
14	T53928	PUSHER	4.0	EA
15	T53926	LEVER LH	1.0	EA
16	T53927	LEVER RH	1.0	EA
17	T53767	BLEEDING BOLT	2.0	EA
18	T53768	PLUG	2.0	EA
19	T53534	O RING	2.0	EA
20	T53533	O RING	2.0	EA
21	T53939	NUT	2.0	EA
22	T53938	GRUB BOLT	2.0	EA
23	T53937	REDUCTION BUSHING	2.0	EA
24	T53604	CYLINDER BOLT	6.0	EA
25	T53936	LEVER	2.0	EA
26	T53530	O RING	2.0	EA
27	T53722	WASHER	2.0	EA
28	T53609	COUNTERSUNK BOLT	2.0	EA



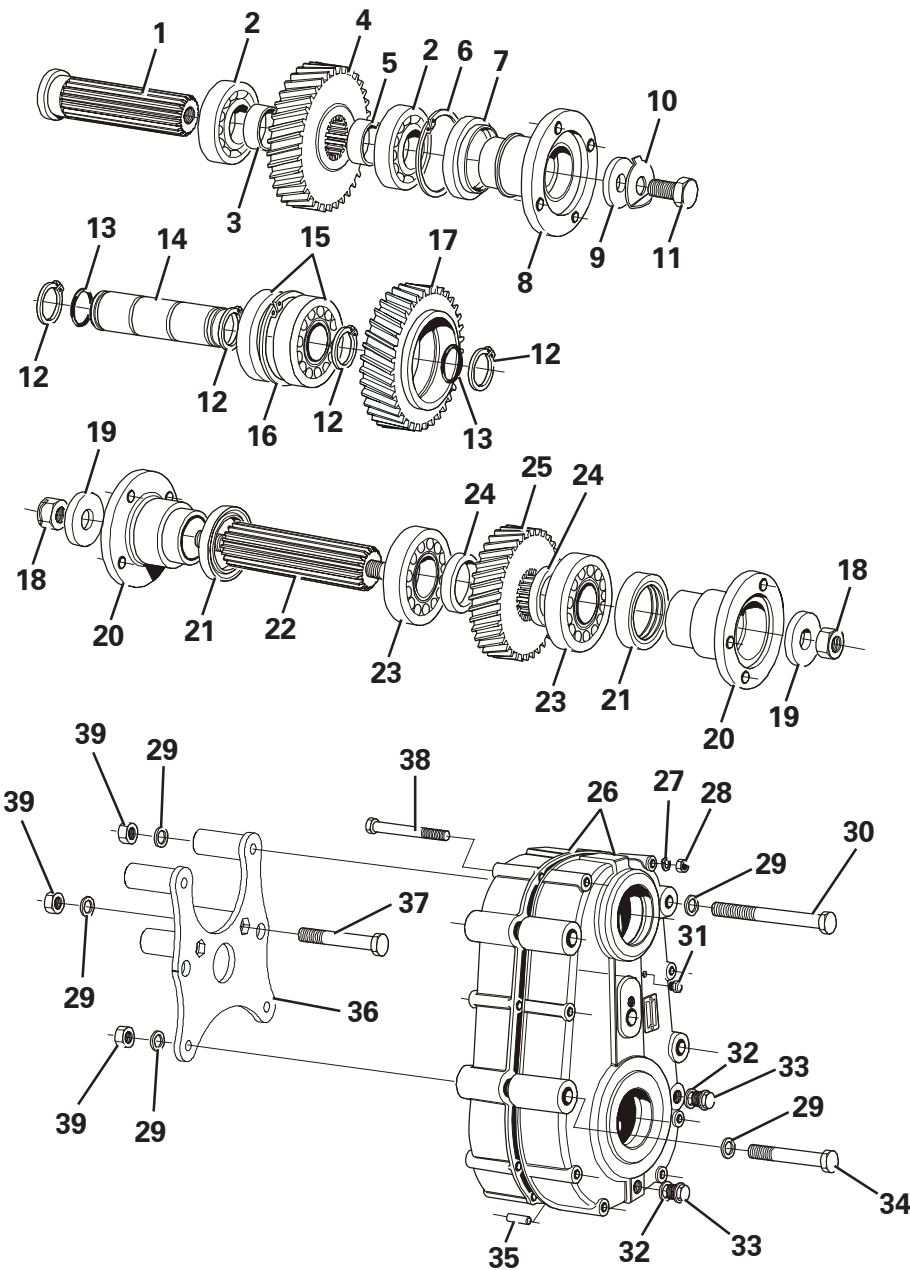
PROPSHAFTS

Item	Part No.	Description	Qty	U/M
1	T102836	PROPSHAFT (FRONT)	1.0	EA
2	T53182	COUPLING	1.0	EA
3	T52320	U.J.KIT	6.0	EA
4	T13454	GREASE NIPPLE	3.0	EA
5	T52321	FLANGE	1.0	EA
6	T102509	BOLT	20.0	EA
7	T102510	NUT	20.0	EA
8	T102450	PROPSHAFT (REAR)	2.0	EA
9	T53778	FLANGE	4.0	EA
10	T7628	BOLT	4.0	EA
11	T7631	PHILIDAS NUT	4.0	EA



Propshaft Assembly

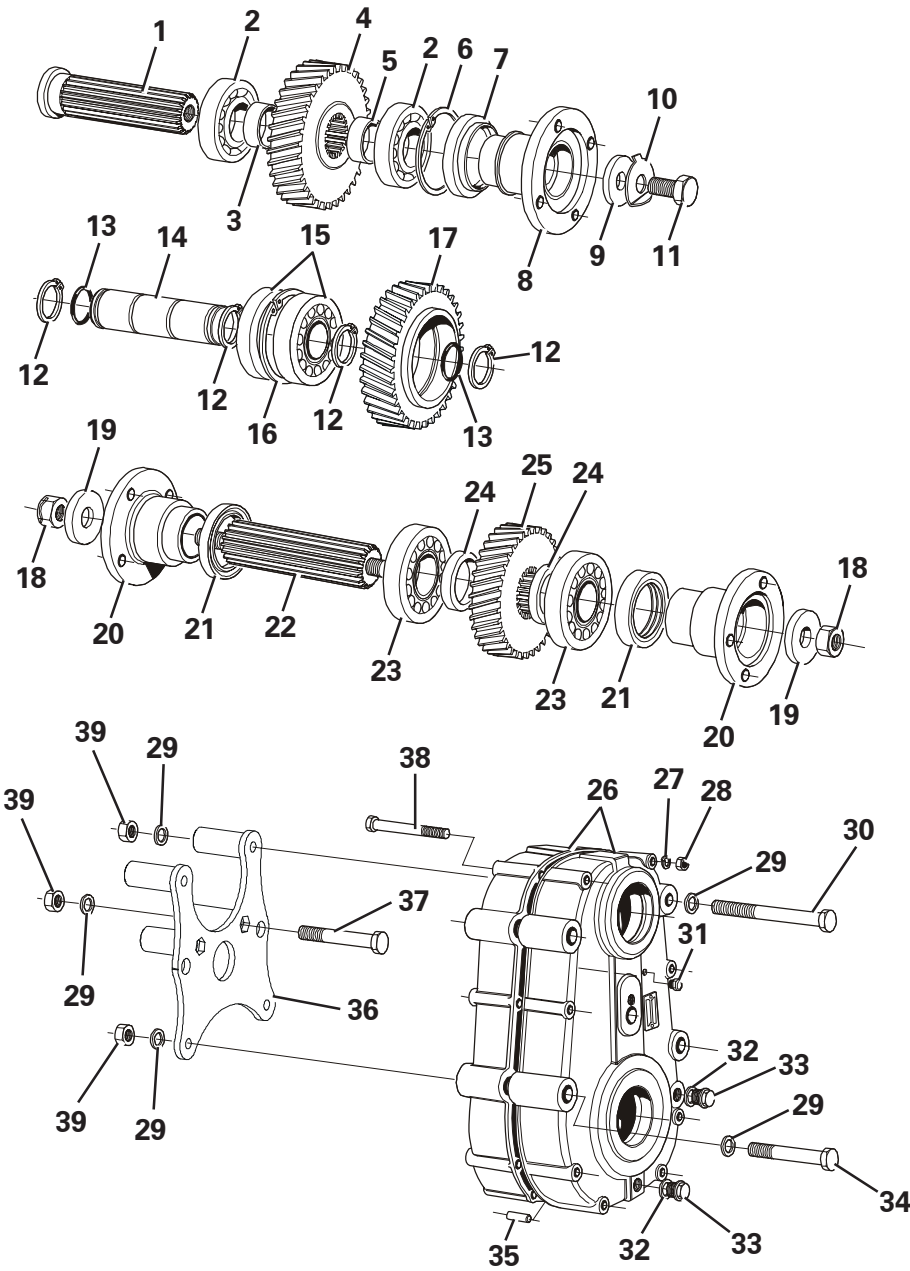
DROP BOX ASSEMBLY



Item	Part No.	Description	Qty	U/M
A	T102449	DROPBOX	1.0	EA
1	T3495	INPUT SHAFT	1.0	EA
2	T4540	BEARING	2.0	EA
3	T3440	SPACER	1.0	EA
4	T50306	INPUT GEAR	1.0	EA
5	T3439	SPACER	1.0	EA
6	T3113	CIRCLIP	1.0	EA
7	T4531	OILSEAL	1.0	EA
8	T4200	COUPLING	1.0	EA
9	T3646	WASHER	1.0	EA
10	T4443	LOCK WASHER	1.0	EA
11	T3483	SCREW	1.0	EA
12	T2379	CIRCLIP	4.0	EA
13	T3446	O RING	2.0	EA
14	T2197	IDLER SHAFT	1.0	EA
15	T2398	ROLLER BEARING	2.0	EA
16	T4431	CIRCLIP	1.0	EA
17	T50307	IDLER GEAR	1.0	EA
18	T1696	NUT	2.0	EA
19	T1697	THICK WASHER	2.0	EA

Drop Box Assembly

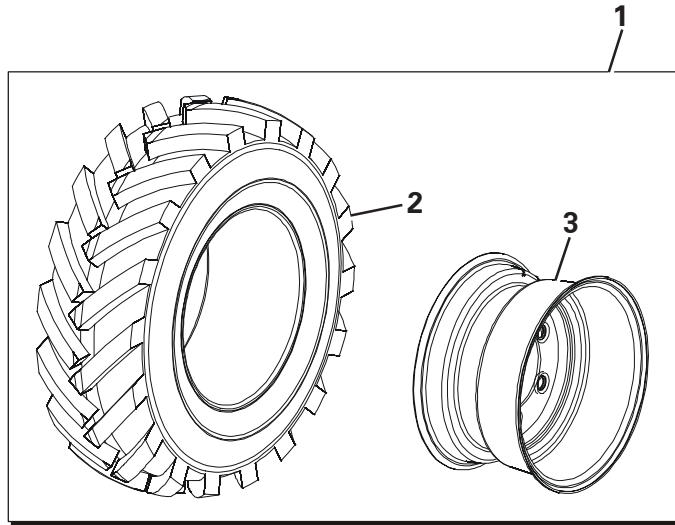
DROP BOX ASSEMBLY



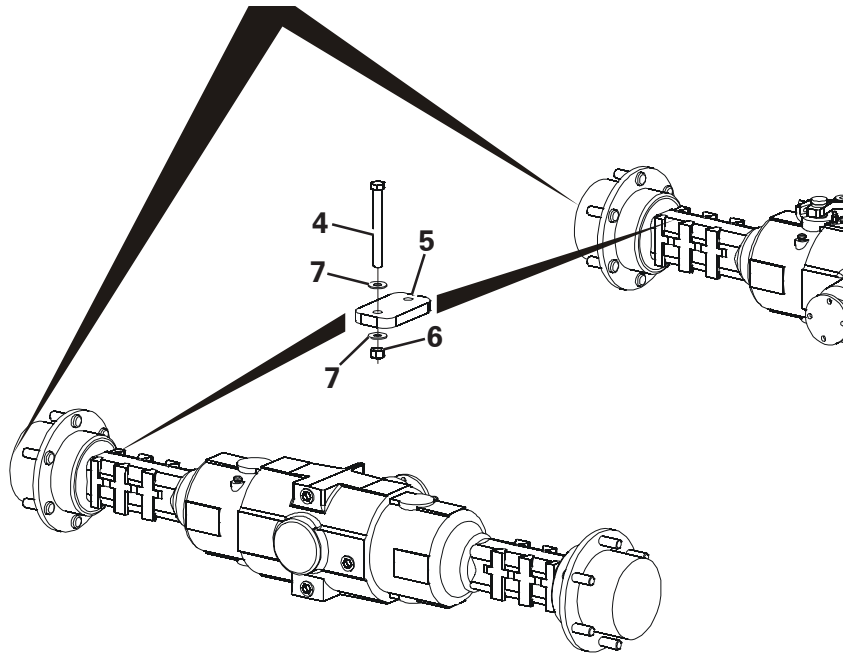
Item	Part No.	Description	Qty	U/M
20	T3487	COUPLING	2.0	EA
21	T3112	OILSEAL	2.0	EA
22	T1698	OUTPUT SHAFT	1.0	EA
23	T3111	BEARING	2.0	EA
24	T3115	SPACER	2.0	EA
25	T50305	OUTPUT GEAR	1.0	EA
26	T2823	GEARCASE	1.0	EA
27	T6705	SPRING WASHER	8.0	EA
28	T9775	NUT	8.0	EA
29	T14748	PLAIN WASHER	10.0	EA
30	T101271	BOLT	2.0	EA
31	T3041	BREATHER	1.0	EA
32	T2667	FIBRE WASHER	2.0	EA
33	T3770	PLUG	2.0	EA
34	T101270	BOLT	2.0	EA
35	T4065	DOWEL	2.0	EA
36	T100983	DROPBOX MOUNTING ASSY	1.0	EA
37	T12609	BOLT	2.0	EA
38	T3472	BOLT	8.0	EA
39	T14283	PHILIDAS NUT	6.0	EA

Drop Box Assembly

WHEEL ASSEMBLY



Item	Part No.	Description	Qty	U/M
1	T102487	WHEEL & TYRE ASSY	4.0	EA
2	T20966	TYRE	1.0	EA
3	T102289	WHEEL RIM	1.0	EA
4	T102704	BOLT	8.0	EA
5	T102703	AXLE CLAMP PLATE	4.0	EA
6	T14910	PHILIDAS NUT	8.0	EA
7	T100867	WASHER	16.0	EA



Wheel & Axle Clamp Assembly

OPTIONAL EXTRAS

Part No.	Description	Qty	U/M
T100133	ROTATING BEACON	1.0	EA
T100308	XENON BEACON	1.0	EA
MACH1244X	ROAD LIGHTS (UK)	1.0	EA
MACH1245X	ROAD LIGHTS (CONT)	1.0	EA
MACH1252X	ENGINE SHUTDOWN	1.0	EA
MACH1253X	REVERSE ALARM	1.0	EA
MACH1257X	ROAD EQUIPMENT	1.0	EA
MACH1263X	SAND TYRES	1.0	EA
MACH1264X	WHEEL ASSY (GRASS)	1.0	EA
MACH1265X	REAR COVER (NON ROPS)	1.0	EA
KIT 343	TRANSFER KIT - 2 TONNE	1.0	EA

MODIFIED AND ADDITIONAL PARTS

Old Part No.	Qty	Description	Page	Item	Prefix	New Part No.
T101143	1.0	TOP RAD HOSE	35	9	-	T103104
T100690	1.0	NUT	12	4	-	T53853
ADDED	1.0	SPRING WASHER	12	17	-	T100387
ADDED	1.0	GRUB SCREW	38	24	-	T103221

MODIFIED AND ADDITIONAL PARTS

Old Part No.	Qty	Description	Page	Item	Prefix	New Part No.
--------------	-----	-------------	------	------	--------	--------------

Service and Warranty

Thwaites give a warranty which, subject to certain conditions, gives an assurance as to the quality of their product.

The Thwaites warranty states:-

In the manufacture of Thwaites machines we endeavour to ensure that only the best workmanship and materials are used. Consequently, provided:-

1. The machine has been properly used in accordance with our recommendations and,
2. That no alterations have been made to the machine without prior written approval and,
3. That the machine has been maintained, serviced and lubricated in accordance with our recommendations and,
4. That Thwaites Warranty Certificate and/or New Machine Delivery Report has been completed and received by Thwaites within one month of delivery to the user.
5. That Thwaites receive a correctly completed Warranty Claim form within thirty days of the failure occurring.
6. **UK**
That the alleged defective parts are returned to Thwaites within 6 weeks of date of failure.
7. **All other territories**
That unless otherwise instructed the alleged defective parts are to be stored for inspection for a 6 month period from date of failure.

We will examine the alleged defective part and if we are reasonably satisfied that any defect is solely due to bad workmanship or materials, we will at our cost and at our option either repair any defective part or supply a replacement part in full discharge of all obligations upon us.

This warranty does not, however, extend to reconditioned or second-hand machines. For the avoidance of doubt, we will not entertain any other claims of a direct or consequential nature of whatsoever description and our responsibility is limited to the above.

The above warranty shall in no way detract from your statutory rights

Warranty

It is important to use only genuine Thwaites Limited spare parts and to adhere strictly to the conditions of operation and maintenance laid down by Thwaites Limited.

Your warranty may be invalidated if you do not comply with the above recommendations.